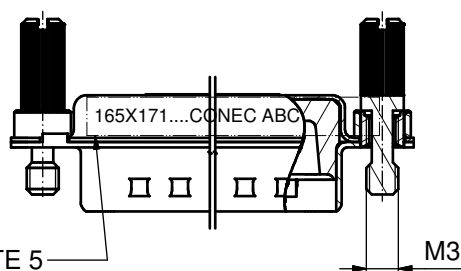
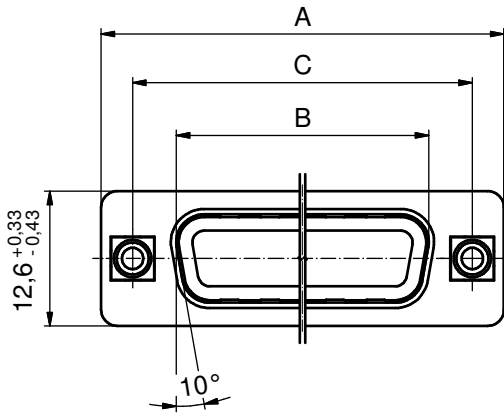
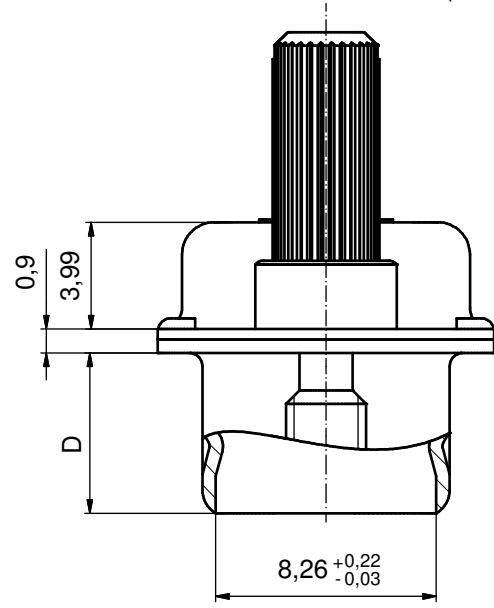
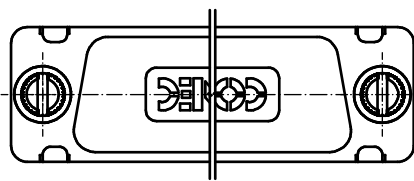
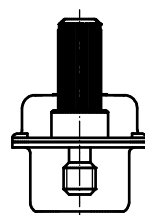


No. of pos.	A <sub>-0,76</sub>	B <sub>+0,25</sub>	C	D <sub>-0,3</sub>	Part-No. Bulk package	Part-No. Single package
9	31,19	16,79	25,00 <sup>+0,12</sup> <sub>-0,13</sub>	6,12	165X17159X	165X17159XE
15	39,52	25,12	33,30 <sup>+0,15</sup> <sub>-0,1</sub>	6,12	165X17169X	165X17169XE
25	53,42	38,84	47,04 $\pm$ 0,13	5,99	165X17179X	165X17179XE
37	69,70	55,30	63,50 $\pm$ 0,13	5,99	165X17189X	165X17189XE
50	67,31	52,68	61,10 <sup>+0,14</sup> <sub>-0,11</sub>	5,99	165X17199X	165X17199XE

(5:1)

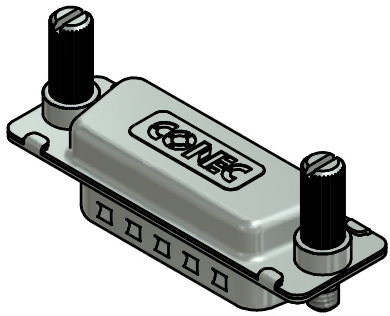


SEE NOTE 5



NOTES:

1. METALSHELLS: COPPER ALLOY; min. 315µin TIN over 40-80µin NICKEL
2. INSULATOR: TPE
3. THREADED INSERTS: BRASS
4. SCREW: STEEL; NICKEL PLATED
5. CONNECTOR IS PART MARKED: PART NO. CONEC ABC



Directive 2002/95/EC RoHS compliant

THIS DRAWING MAY NOT BE COPIED OR REPRODUCED IN ANY WAY, AND MAY NOT BE PASSED ON TO A THIRD PARTY WITHOUT WRITTEN PERMISSION. OWNERSHIP AND COPYRIGHT OF CONEC GmbH DO NOT ALTER CAD DRAWING BY HAND	tolerance		dim. in mm	scale: 2:1 (5:1)	
				material: SEE NOTES	
	date	name	title:		
	drawn 29.06.11	Henneboel	HOOD 9-50pos.		
	appd. 01.07.11	Fischer	WATER RESISTANT AND SHIELDED; FOR EMI/RFI for socket connector, with jack screws		
norm		dwg no:		DIN-A3	
d-old		16K1A2839		sh: 1	
a Original					part no: SEE TABLE
rev. description	date name				