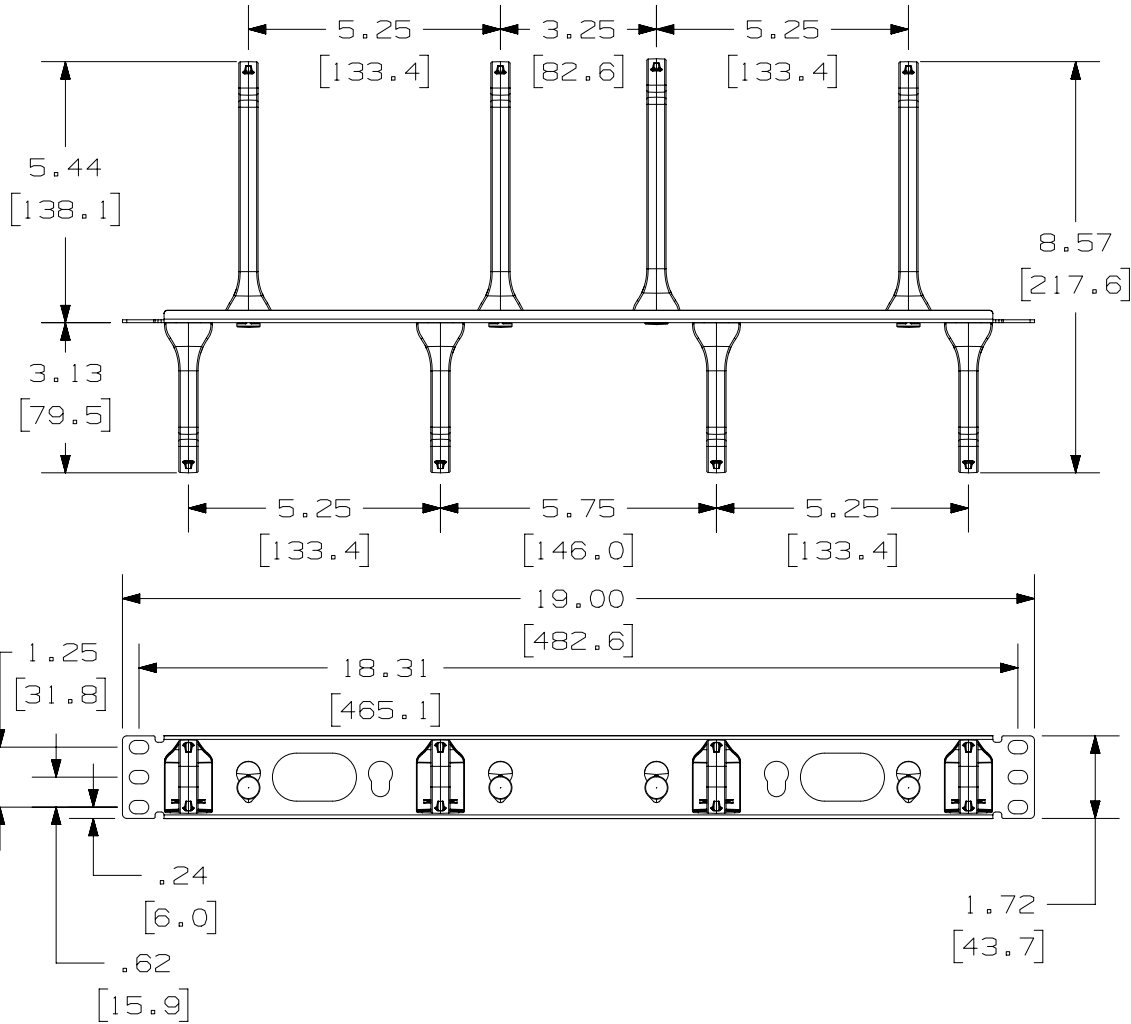


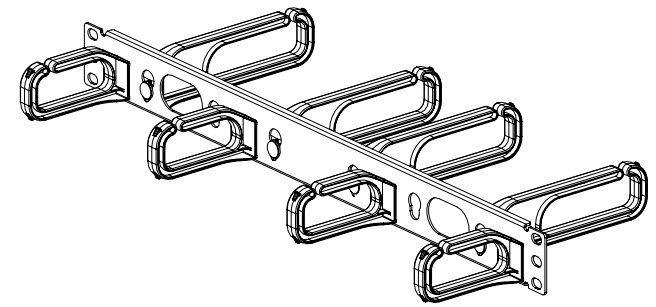
THIS COPY IS PROVIDED ON A RESTRICTED BASIS AND IS NOT TO BE USED IN ANY WAY DETRIMENTAL TO THE INTERESTS OF PANDUIT CORP.


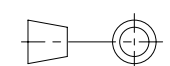


PANDUIT P/N	WEIGHT
CMPH1	.80 LB/EACH PC (362.8 g/EACH PC)

NOTES:

- SEE CATALOG FOR COMPLETE LIST OF PARTS APPLICABLE FOR USE WITH THIS PART.
- DIMENSIONS IN PARENTHESES ARE IN METRIC.
- PARTS INCLUDED:
4- SMALL D-RINGS
4- LARGE D-RINGS
4- 12-24 SCREWS
1- METAL STAMPING
- FOR OPTIONAL SNAP ON COVER USE PART NUMBER CMPH1C.



TITLE		OPEN CABLE MANAGEMENT PANEL HORIZONTAL (CMPH1)	
CUSTOMER DRAWING			
ITEM REVISION NAME		M00671AC/02	
DATASET FILE NAME		M00671AC_DC/02A	
UNLESS OTHERWISE SPECIFIED, DIMENSIONAL TOLERANCES ARE: IN (mm)		 MATERIAL: STAMPING- BLACK POWDER COATED C.R.S. RINGS- BLACK PC	
DRAWING NUMBER:		00671-04	
THIRD ANGLE PROJECTION			
DRAWN BY	DATE	CHK	SCALE
JsP	11-1-99	CEF	NONE
SHT 1 OF 1		A	

REV	DATE	BY	CHK	APR	DESCRIPTION	ECN
02A	3-26-15	TWV	MACA	KRKE	BOM ADJUSTMENT. REVISED NOTES.	00671-04

D10100DA/15