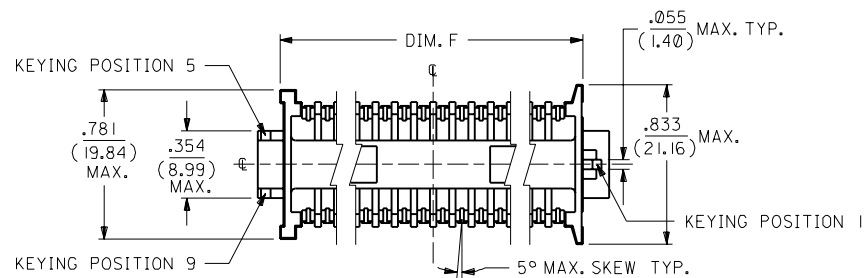
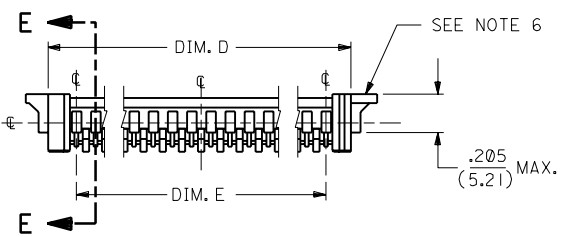
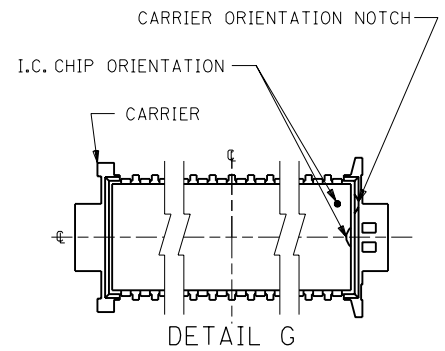


SECTION E-E



NOTES:

1. DIMENSIONS GIVEN ACROSS CENTERLINES ARE SYMMETRICAL ABOUT THOSE CENTERLINES WITHIN HALF THE TOTAL TOLERANCE, EXCEPT DIM. D.
2. MATERIAL: POLYESTER, 15% GLASS FILLED.
3. I.C. DEVICES TO BE PROVIDED BY CUSTOMER. SEE PS-78804 FOR I.C. DIMENSIONS.
4. I.C. ASSEMBLED TO CARRIER BY CUSTOMER WITH MOLEX ASSEMBLY TOOLING OR EQUIVALENT. (SEE SECTION E-E AND DETAIL G).
5. TIGHT CRIMP AS SHOWN WITH MINIMUM SPRING BACK.
6. THIS PART MATES WITH 78804, 78805, OR 78807 SOCKET ASSEMBLIES.
7. FOR POLARIZATION DETAILS, SEE SHEET 2.
8. PS-78804 APPLIES.
9. PACKAGE PER PK-78802-100.



DETAIL G

D	ADD PKG NOTE PER UDT2000-0468 SCHAFFER 99/12/2
C3	ADDED EDP PER EGN U1 053 SEC 20 JUNE 91
C2	ADDED DETAIL J3 PER EGN U1 0446 SEC 8 FEB 91
C1	ADDED P/N'S PER ERO 30698 SEC 11-30-90
C	REDRAWN & REVISED PER ECR # U90175 SEC 3-10-89

MFG.	SH.	REV.	LTR.	REVISIONS
	3	C3		
	2	C2		
	1	D		

DIMENSIONS SHOWN (METRIC) INCH
UNLESS OTHERWISE SPECIFIED TOLERANCES ANGULAR ± 1/2°

PLACE	INCH	METRIC
3 PLACE	± .005	---
2 PLACE	± .01	± 0.13
1 PLACE	---	± 0.25

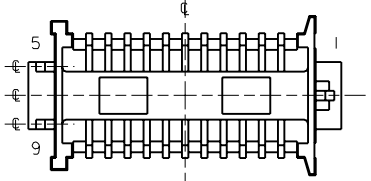
DRAFT WHERE APPLICABLE MUST REMAIN WITHIN DIMENSIONS

DRWG. NO. SDA-78802-2	FILE NAME SD788021.DWG	SHEET NO. 1 OF 3	DATE 9/23/88
DRWG. BY PB	CHK'D. BY SEC	THIS DRAWING CONTAINS INFORMATION THAT IS PROPRIETARY TO MOLEX INC. AND SHOULD NOT BE USED WITHOUT WRITTEN PERMISSION.	
APP'D. BY ASW	SCALE 2:1	DIV. DA	SIZE C

MOLEX INCORPORATED U.S.A. 1515E.ILL. 60532

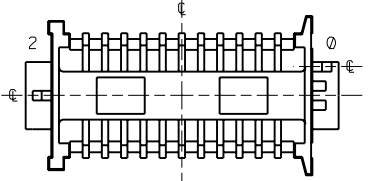
REVISIONS ONLY ON CAD SYSTEM

DETAIL 1
COLORS: SEE SHEET 3



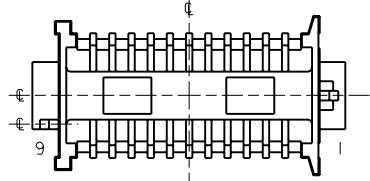
KEYS 5, 9 & 1

DETAIL 5
COLOR: GREEN



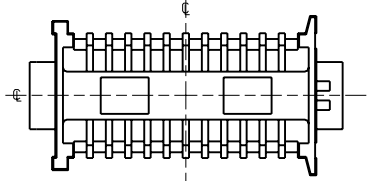
KEYS 2 & 0

DETAIL 9
COLOR: DK. BLUE



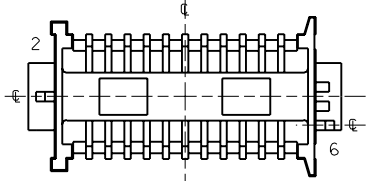
KEYS 9 & 1

DETAIL 11
COLOR: PURPLE



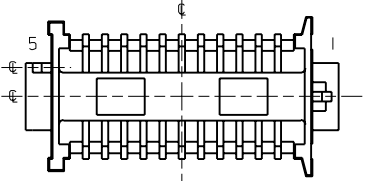
NO KEYS

DETAIL 2
COLOR: RED



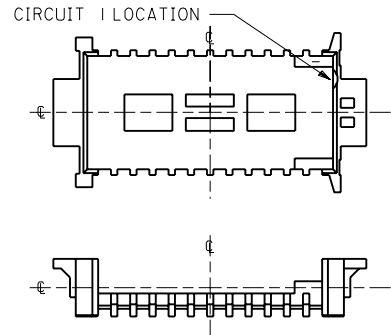
KEYS 2 & 6

DETAIL 6
COLOR: NATURAL



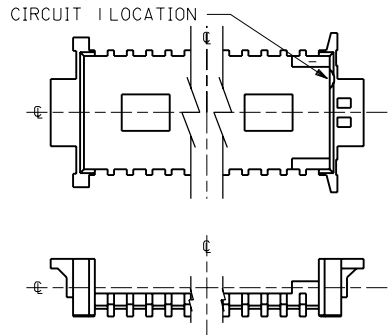
KEYS 5 & 1

DETAIL 10
(MODIFIED DET.-1)



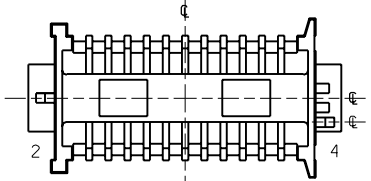
KEYS 5, 9 & 1
24-28 CIRCUIT

DETAIL 12
(MODIFIED DET.-1)



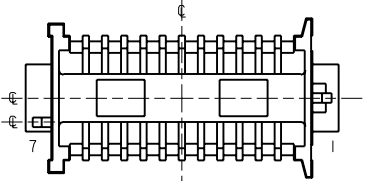
KEYS 5, 9 & 1
28-32 CIRCUIT

DETAIL 3
COLOR: YELLOW



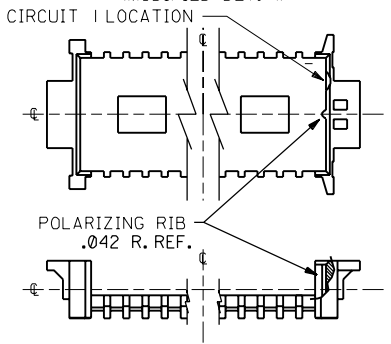
KEYS 2 & 4

DETAIL 7
COLOR: LT. BLUE



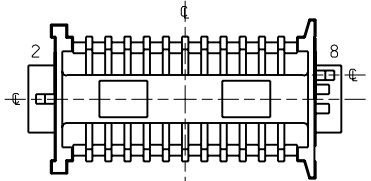
KEYS 7 & 1

DETAIL 13
(MODIFIED DET.-1)



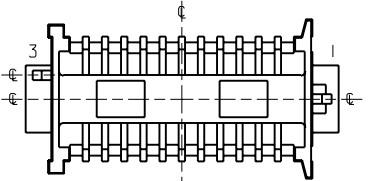
KEYS 5, 9 & 1
(WITH POLARIZING RIB)

DETAIL 4
COLOR: GRAY



KEYS 2 & 8

DETAIL 8
COLOR: ORANGE



KEYS 3 & 1

MFG. SH. REV.

REVISE ONLY ON CAD SYSTEM

DIMENSIONS SHOWN (METRIC) INCH	
UNLESS OTHERWISE SPECIFIED TOLERANCES: ANGULAR $\pm 1/2^\circ$	
3 PLACE	$\pm .005$
2 PLACE	$\pm .01$
1 PLACE	$\pm .025$
DRAFT WHERE APPLICABLE MUST REMAIN WITHIN DIMENSIONS	
DRWG. BY: PB	CHK'D. BY: SEC
APP'D. BY: ASW	SCALE: 2:1

TITLE		SALES ASSEMBLY MEMORY MODULE CARRIER (.600 x .100)	
MOLX INCORPORATED 1151E, ILL. 60532 U.S.A.		SHEET NO. 2	DATE 03/10/89
PART NO. SEE SHEET 3		DRWG. NO. SDA-78802-*****	
FILE NAME S0788022		DIV. DA	SIZE C

C2	SEE SHEET 1
C1	SEE SHEET 1
C	SEE SHEET 1
LTR.	REVISIONS

78802

	13	12	11	10	9	8	7	6	78802		4	3	2	1
J	CKT. SIZE	ENG NO.	EDP NO.	COLOR	DETAIL	DIM. A (MAX.)	DIM. B (MIN.)	DIM. C (MAX.)	DIM. D (MAX.)	DIM. E ±.006/(0.15)	DIM. F (MAX.)			
	24	78802-0001	50-39-5248	BLACK	1	1.637/(41.58)	1.275/(32.39)	1.467/(37.26)	1.383/(35.13)	1.100/(27.94)	1.367/(34.72)			
	28	78802-0010	50-39-5288	BLACK	1	1.837/(46.66)	1.475/(37.47)	1.667/(42.34)	1.583/(40.21)	1.300/(33.02)	1.567/(39.80)			
I	28	78802-0012	50-65-2282	YELLOW	3	1.837/(46.66)	1.475/(37.47)	1.667/(42.34)	1.583/(40.21)	1.300/(33.02)	1.567/(39.80)			
	28	78802-0013	50-65-2283	GRAY	4	1.837/(46.66)	1.475/(37.47)	1.667/(42.34)	1.583/(40.21)	1.300/(33.02)	1.567/(39.80)			
	28	78802-0014	50-65-2284	DK. GREEN	5	1.837/(46.66)	1.475/(37.47)	1.667/(42.34)	1.583/(40.21)	1.300/(33.02)	1.567/(39.80)			
H	28	78802-0015	50-65-2285	NATURAL	6	1.837/(46.66)	1.475/(37.47)	1.667/(42.34)	1.583/(40.21)	1.300/(33.02)	1.567/(39.80)			
	28	78802-0016	50-65-2286	LT. BLUE	7	1.837/(46.66)	1.475/(37.47)	1.667/(42.34)	1.583/(40.21)	1.300/(33.02)	1.567/(39.80)			
	28	78802-0017	50-65-2287	ORANGE	8	1.837/(46.66)	1.475/(37.47)	1.667/(42.34)	1.583/(40.21)	1.300/(33.02)	1.567/(39.80)			
	28	78802-0018	50-65-2288	DK. BLUE	9	1.837/(46.66)	1.475/(37.47)	1.667/(42.34)	1.583/(40.21)	1.300/(33.02)	1.567/(39.80)			
G	28	78802-0046	50-57-5286	RED	1	1.837/(46.66)	1.475/(37.47)	1.667/(42.34)	1.583/(40.21)	1.300/(33.02)	1.567/(39.80)			
	28	78802-0047	50-57-5285	BLACK	10	1.837/(46.66)	1.475/(37.47)	1.667/(42.34)	1.583/(40.21)	1.300/(33.02)	1.567/(39.80)			
	28	78802-0118	50-57-5284	PURPLE	11	1.837/(46.66)	1.475/(37.47)	1.667/(42.34)	1.583/(40.21)	1.300/(33.02)	1.567/(39.80)			
F	28	X-78802-0119	NOT TOOLED	BLACK	13	1.837/(46.66)	1.475/(37.47)	1.667/(42.34)	1.583/(40.21)	1.300/(33.02)	1.567/(39.80)			
	32	78802-0028	50-57-5283	BLACK	1	2.037/(51.74)	1.675/(42.55)	1.867/(47.42)	1.783/(45.29)	1.500/(38.10)	1.767/(44.88)			
	32	78802-0029	50-65-3329	RED	2	2.037/(51.74)	1.675/(42.55)	1.867/(47.42)	1.783/(45.29)	1.500/(38.10)	1.767/(44.88)			
E	32	78802-0030	50-65-3330	YELLOW	3	2.037/(51.74)	1.675/(42.55)	1.867/(47.42)	1.783/(45.29)	1.500/(38.10)	1.767/(44.88)			
	32	78802-0031	50-65-3331	GRAY	4	2.037/(51.74)	1.675/(42.55)	1.867/(47.42)	1.783/(45.29)	1.500/(38.10)	1.767/(44.88)			
	32	78802-0032	50-65-3332	DK. GREEN	5	2.037/(51.74)	1.675/(42.55)	1.867/(47.42)	1.783/(45.29)	1.500/(38.10)	1.767/(44.88)			
D	32	78802-0033	50-65-3321	NATURAL	6	2.037/(51.74)	1.675/(42.55)	1.867/(47.42)	1.783/(45.29)	1.500/(38.10)	1.767/(44.88)			
	32	78802-0034	50-65-3334	LT. BLUE	7	2.037/(51.74)	1.675/(42.55)	1.867/(47.42)	1.783/(45.29)	1.500/(38.10)	1.767/(44.88)			
	32	78802-0035	50-65-3335	ORANGE	8	2.037/(51.74)	1.675/(42.55)	1.867/(47.42)	1.783/(45.29)	1.500/(38.10)	1.767/(44.88)			
	32	X-78802-0036	N.T.	DK. BLUE	9	2.037/(51.74)	1.675/(42.55)	1.867/(47.42)	1.783/(45.29)	1.500/(38.10)	1.767/(44.88)			
C	32	78802-0064	50-65-2289	BLACK	12	2.037/(51.74)	1.675/(42.55)	1.867/(47.42)	1.783/(45.29)	1.500/(38.10)	1.767/(44.88)			
	32	78802-0065	50-65-3365	RED	1	2.037/(51.74)	1.675/(42.55)	1.867/(47.42)	1.783/(45.29)	1.500/(38.10)	1.767/(44.88)			
	32	78802-0136	50-65-3346	PURPLE	11	2.037/(51.74)	1.675/(42.55)	1.867/(47.42)	1.783/(45.29)	1.500/(38.10)	1.767/(44.88)			
B	32	X-78802-0137	NOT TOOLED	BLACK	13	2.037/(51.74)	1.675/(42.55)	1.867/(47.42)	1.783/(45.29)	1.500/(38.10)	1.767/(44.88)			

78802

										DIMENSIONS SHOWN (METRIC) INCH UNLESS OTHERWISE SPECIFIED TOLERANCES ANGULAR ± 1/2°		∇ = 0 ▽ = 0 REVISE ONLY ON CAD SYSTEM	
										INCH METRIC		TITLE SALES ASSEMBLY MEMORY MODULE CARRIER (.600 x .100)	
										3 PLACE ± .005 ---		PART NO. DRWG. NO. SEE CHART SDA-78802-****	
										2 PLACE ± .01 ± 0.13		FILE NAME DIV. SIZE S0788023 MOLEX INC. DA C	
										1 PLACE --- ± 0.25		DATE SHEET NO. 03/13/89 3	
										DRAFT WHERE APPLICABLE MUST REMAIN WITHIN DIMENSIONS		THIS DRAWING CONTAINS INFORMATION THAT IS PROPRIETARY TO MOLEX INC. AND SHOULD NOT BE USED WITHOUT WRITTEN PERMISSION	
										DRWG. BY SEC CHK'D. BY SEC		SCALE 2:1	
										LTR. REVISIONS LTR. REVISIONS			