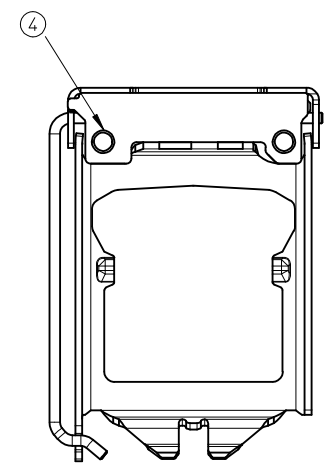
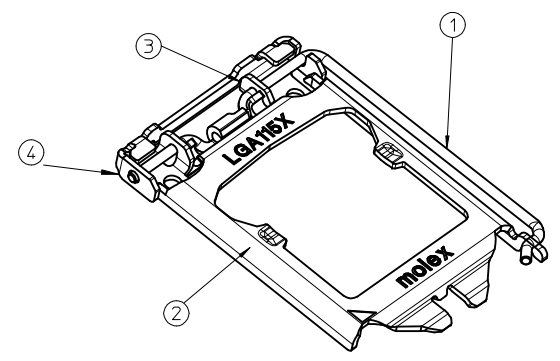
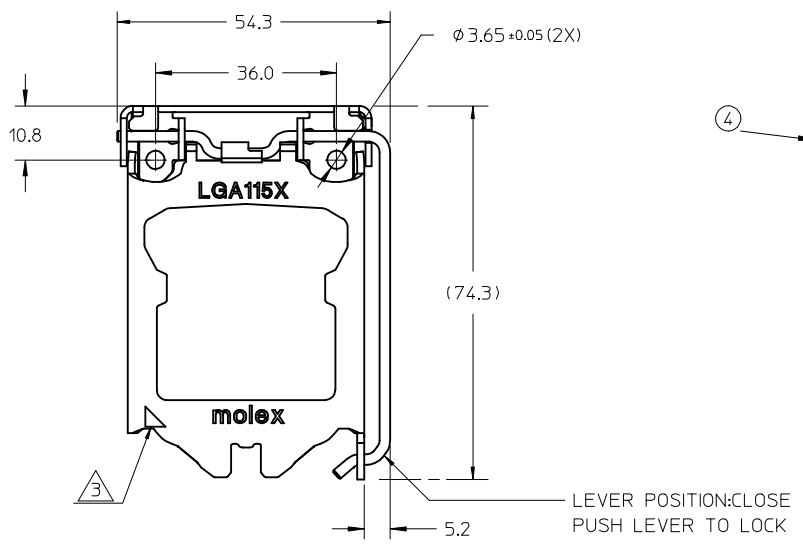
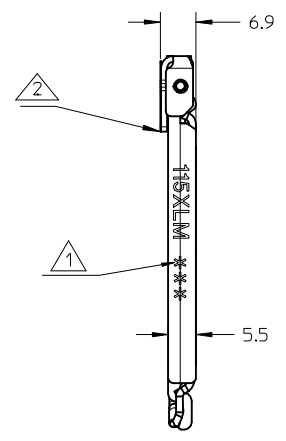
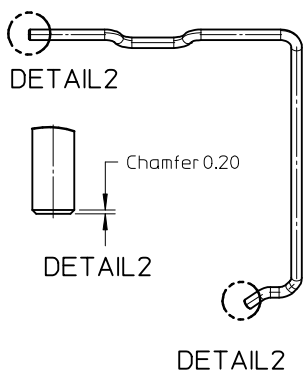
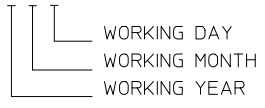


10 9 8 7 6 5 4 3 2 1



NOTES:

△ INK PRINTED DATE CODE: \* \* \*



△ INSULATOR OVERHANG ILM FRAME.

△ AREA FILLED WITH BLACK INK

4. PART IS COMPLIANT TO RoHS DIRECTIVE 2002/95/EC AND ELV 2000/53/EC.

5. PARTS ARE HALOGEN FREE.

BILL OF MATERIAL(47596-88**)			
ITEM No	QTY	DESCRIPTION	MATERIAL
1	1	ILM TOP ASSY WITHOUT SCREW	
1	1	ILM LEVER(STRAIGHT)	STAINLESS STEEL
2	1	ILM LOAD PLATE	STAINLESS STEEL
3	1	ILM FRAME	STEEL WITH NICKEL PLATING
4	1	ILM FRAME INSULATOR	POLYCARBONATE FILM

47596-8841	WITHOUT ILM COVER
PART NO.	DESCRIPTION

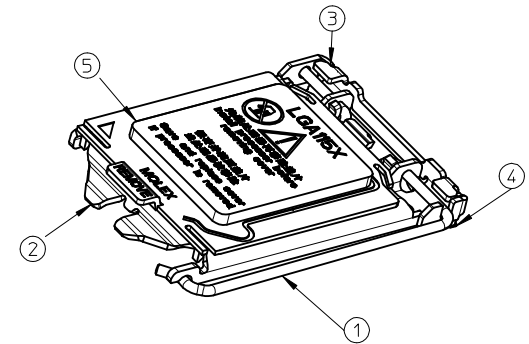
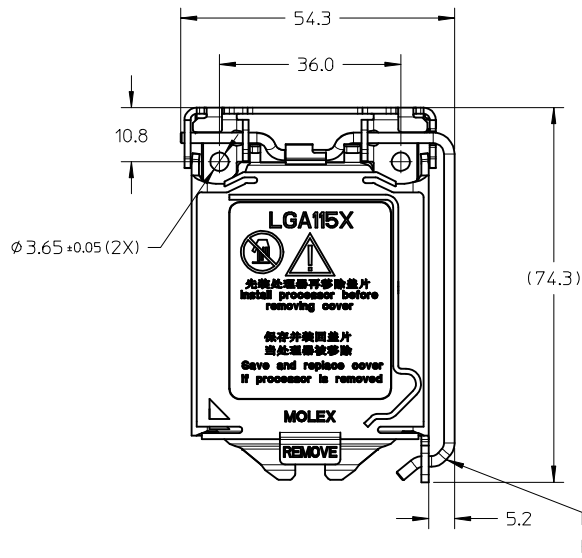
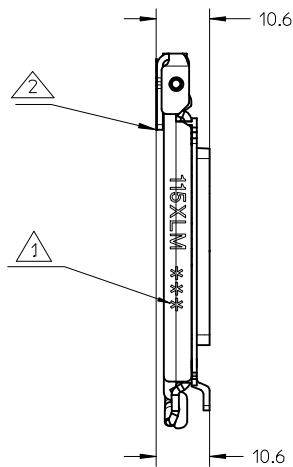
ENTER DESCRIPTION EC NO: SH2015-0707 DRWN: YXZHENG 2014/03/04 CHKD: AYIN 2014/03/04 APPR: AYIN 2014/09/15	QUALITY SYMBOLS	GENERAL TOLERANCES (UNLESS SPECIFIED)	DIMENSION STYLE MM ONLY	SCALE 1:1	DESIGN UNITS METRIC	THIRD ANGLE PROJECTION		
	▽ F=0						mm	INCH
	▽ F=0						4 PLACES ± --- ± ---	3 PLACES ± --- ± ---
	▽ F=0						2 PLACES ± 0.20 ± ---	1 PLACE ± 0.25 ± ---
REV	DESCRIPTION	ANGULAR ± 1 °	DRAWN BY JZHANG01	DATE 2010/12/10	TITLE 115X ILM TOP ASSY STRAIGHT LEVER			

DRAFT WHERE APPLICABLE  
MUST REMAIN  
WITHIN DIMENSIONS

APPROVED BY AYIN	DATE 2010/12/10
MATERIAL NO. SEE TABLE	
DOCUMENT NO. SD-47596-102	

MOLEX INCORPORATED		SHEET NO. 1 OF 3
THIS DRAWING CONTAINS INFORMATION THAT IS PROPRIETARY TO MOLEX INCORPORATED AND SHOULD NOT BE USED WITHOUT WRITTEN PERMISSION		

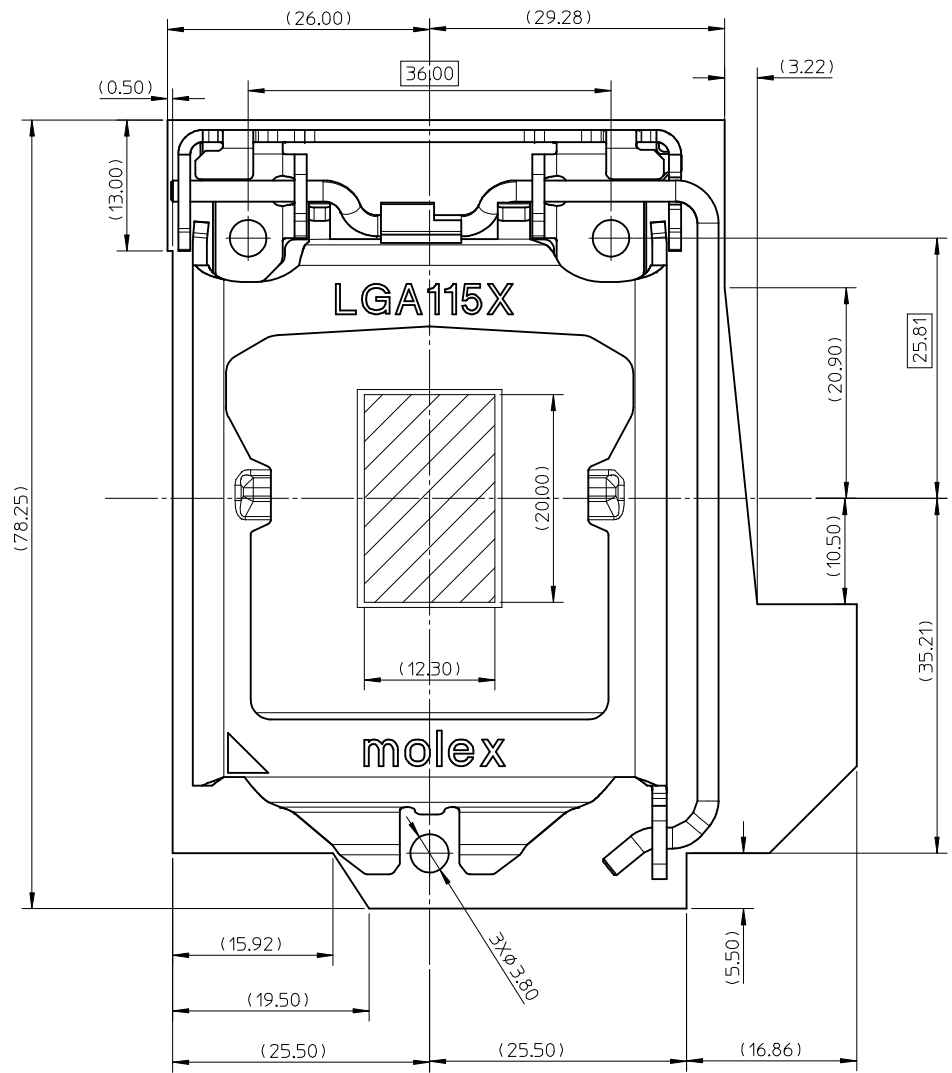
9 8 7 6 5 4 3 2 1



BILL OF MATERIAL(47596-87**)			
ITEM No	QTY	DESCRIPTION	MATERIAL
	1	ILM TOP ASSY WITHOUT SCREW	
1	1	ILM LEVER(STRAIGHT)	STAINLESS STEEL
2	1	ILM LOAD PLATE	STAINLESS STEEL
3	1	ILM FRAME	STEEL WITH NICKEL PLATING
4	1	ILM FRAME INSULATOR	POLYCARBONATE FILM
5	1	ILM COVER	PC/ABS

47596-8741	WITH ILM COVER
PART NO.	DESCRIPTION

<b>ENTER DESCRIPTION</b> EC NO: SHZ015-0107 2014/03/04 DRWN:YXZHENG 2014/03/04 CHKD:AYIN 2014/09/15 APPR:AYIN	QUALITY SYMBOLS $F_A=0$ $F_C=0$ $F_P=0$	GENERAL TOLERANCES (UNLESS SPECIFIED)		DIMENSION STYLE <b>MM ONLY</b>		SCALE <b>1:1</b>	DESIGN UNITS <b>METRIC</b>	THIRD ANGLE PROJECTION	
			mm	INCH	DRAWN BY	DATE	TITLE		
		4 PLACES	± ---	± ---	JZHANG01	2010/12/10	<b>115X ILM TOP ASSY STRAIGHT LEVER</b>		
		3 PLACES	± ---	± ---	CHECKED BY	DATE			
2 PLACES	± 0.20	± ---	AYIN	2010/12/10	APPROVED BY AYIN 2010/12/10 <b>MOLEX INCORPORATED</b>				
1 PLACE	± 0.25	± ---	APPROVED BY AYIN 2010/12/10						
ANGULAR ± 1 °				MATERIAL NO. <b>SEE TABLE</b>		DOCUMENT NO. <b>SD-47596-102</b>		SHEET NO. <b>2 OF 3</b>	
DRAFT WHERE APPLICABLE MUST REMAIN WITHIN DIMENSIONS				SIZE <b>A3</b>		THIS DRAWING CONTAINS INFORMATION THAT IS PROPRIETARY TO MOLEX INCORPORATED AND SHOULD NOT BE USED WITHOUT WRITTEN PERMISSION			



ILM KEEP OUT ZOOM LAYOUT  
FOR REFERENCE ONLY

<b>ENTER DESCRIPTION</b> EC NO: SHZ015-0107 DRWN: YXZHENG 2014/03/04 CHKD: AYIN 2014/03/04 APPR: AYIN 2014/09/15	<b>QUALITY SYMBOLS</b> $F_A=0$ $F_C=0$ $F_P=0$	<b>GENERAL TOLERANCES (UNLESS SPECIFIED)</b>		<b>DIMENSION STYLE</b> MM ONLY	<b>SCALE</b> 2:1	<b>DESIGN UNITS</b> METRIC	THIRD ANGLE PROJECTION		
			mm	INCH	DRAWN BY JZHANG01	DATE 2010/12/10	<b>TITLE</b> 115X ILM TOP ASSY STRAIGHT LEVER		
			4 PLACES	± ---	± ---	CHECKED BY AYIN	DATE 2010/12/10		
			3 PLACES	± ---	± ---	APPROVED BY AYIN	DATE 2010/12/10		
		2 PLACES	± 0.20	± ---	MATERIAL NO. SEE TABLE		DOCUMENT NO. SD-47596-102		
		1 PLACE	± 0.25	± ---	SIZE A3		SHEET NO. 3 OF 3		
		0 PLACE	± ---	± ---	THIS DRAWING CONTAINS INFORMATION THAT IS PROPRIETARY TO MOLEX INCORPORATED AND SHOULD NOT BE USED WITHOUT WRITTEN PERMISSION				
		ANGULAR ± 1 °							
		DRAFT WHERE APPLICABLE MUST REMAIN WITHIN DIMENSIONS							