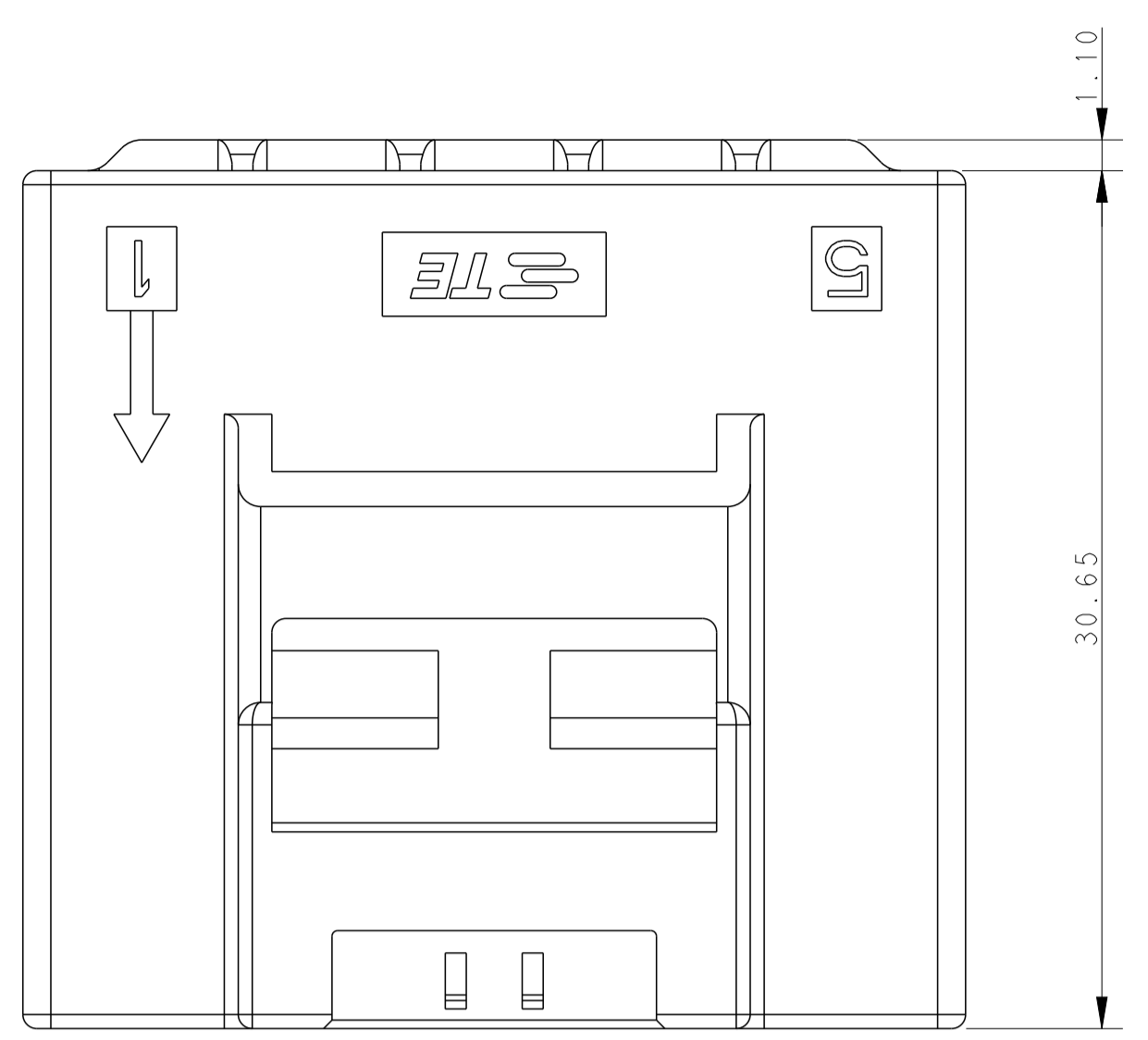
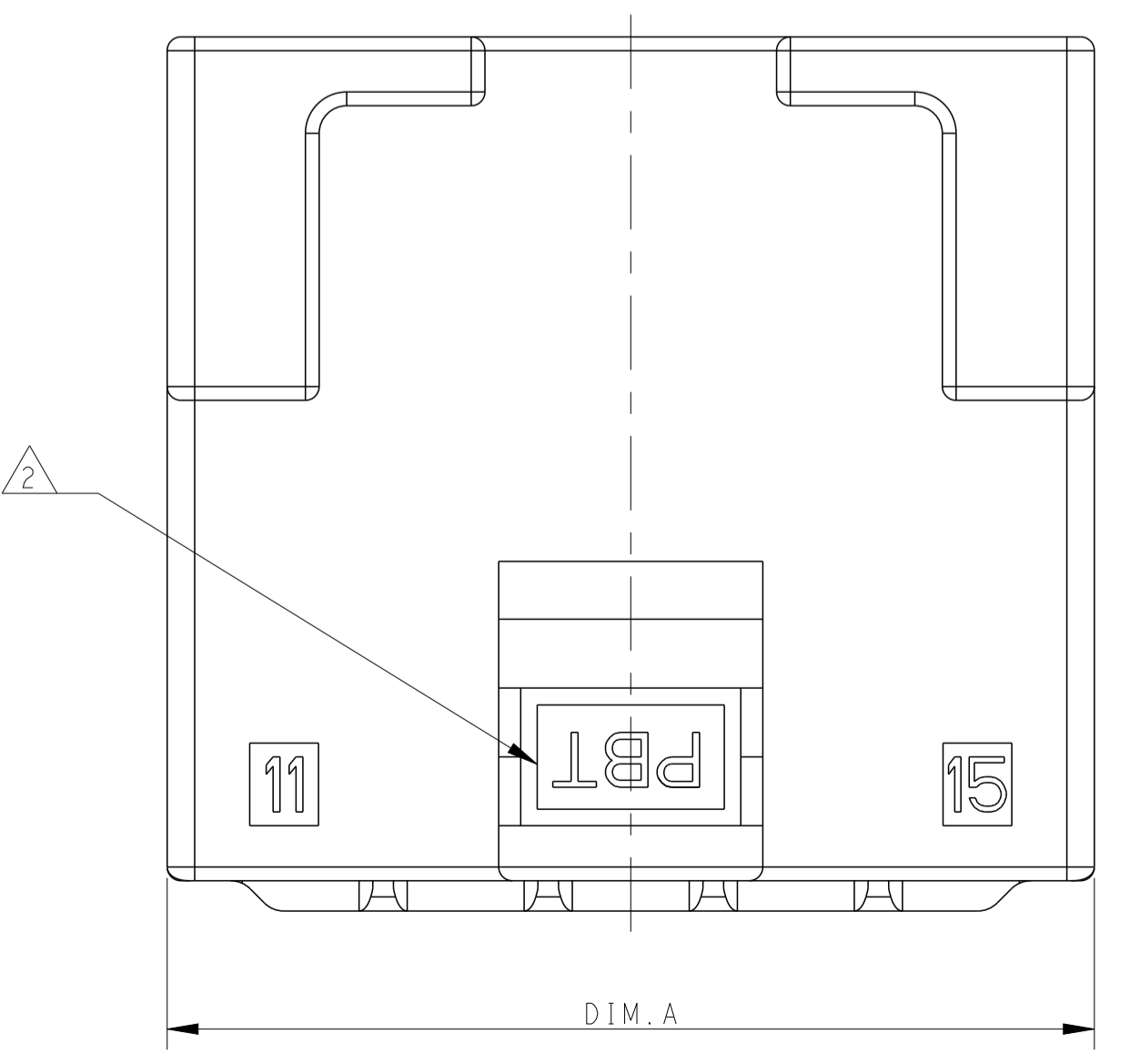
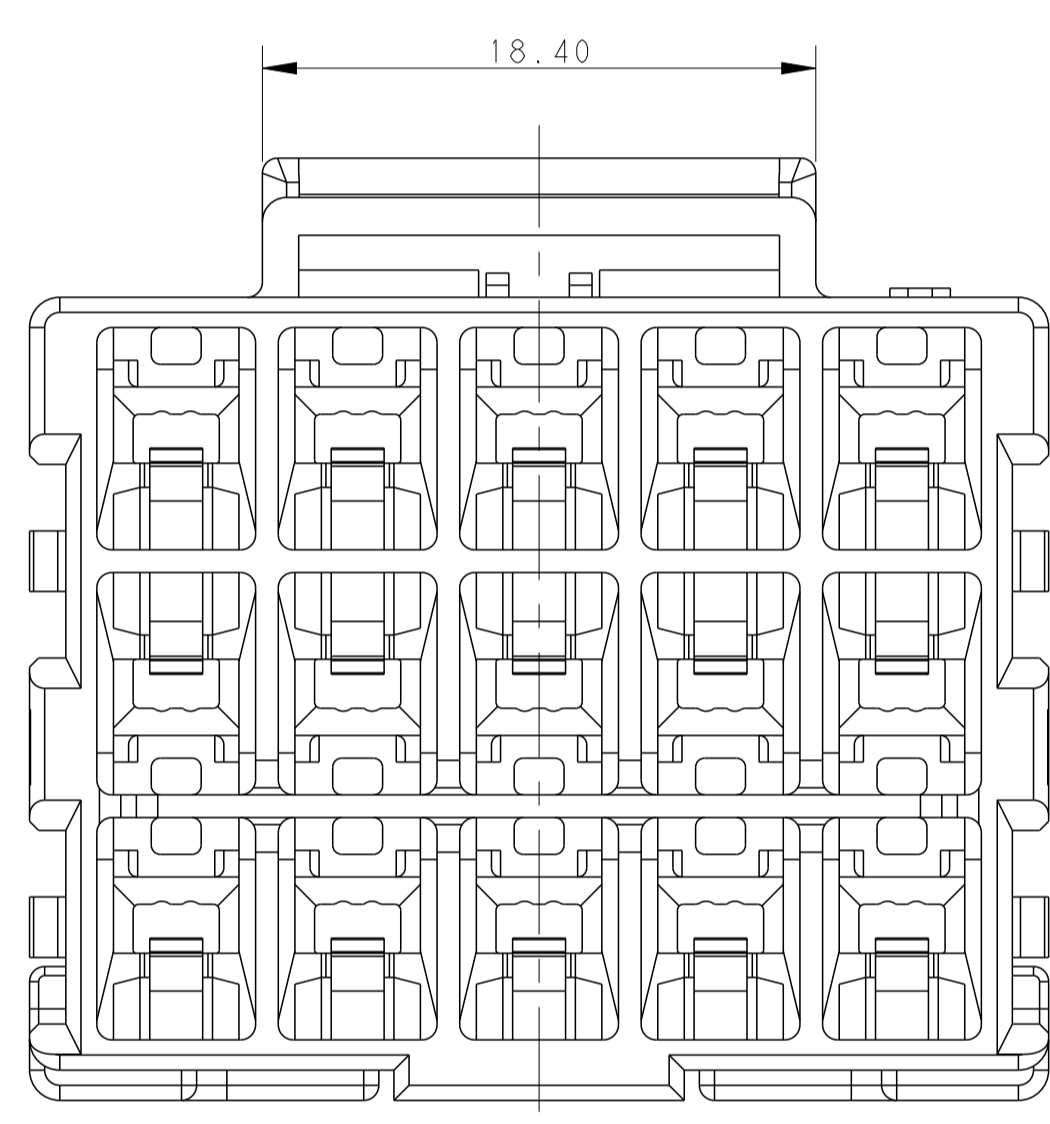
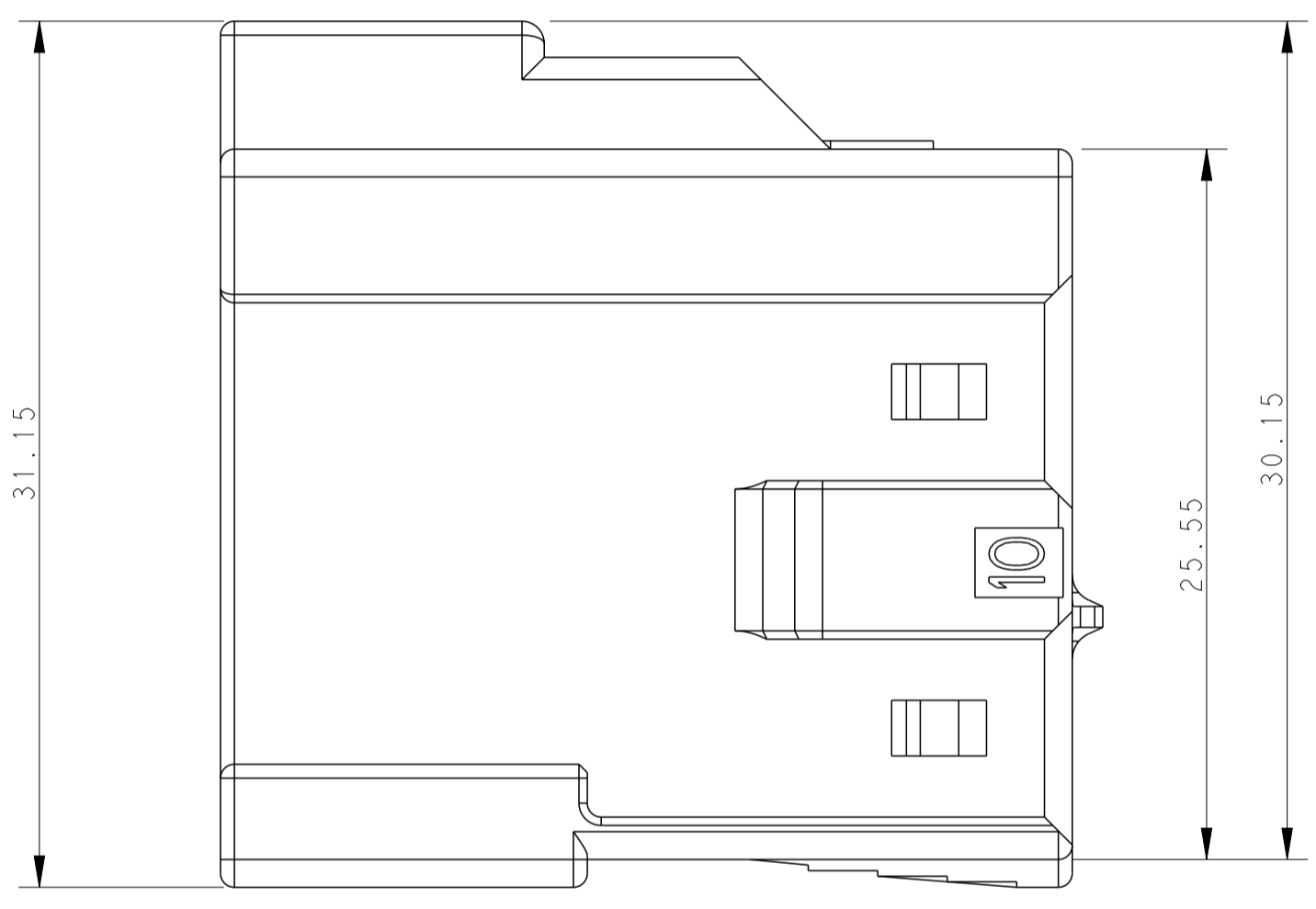
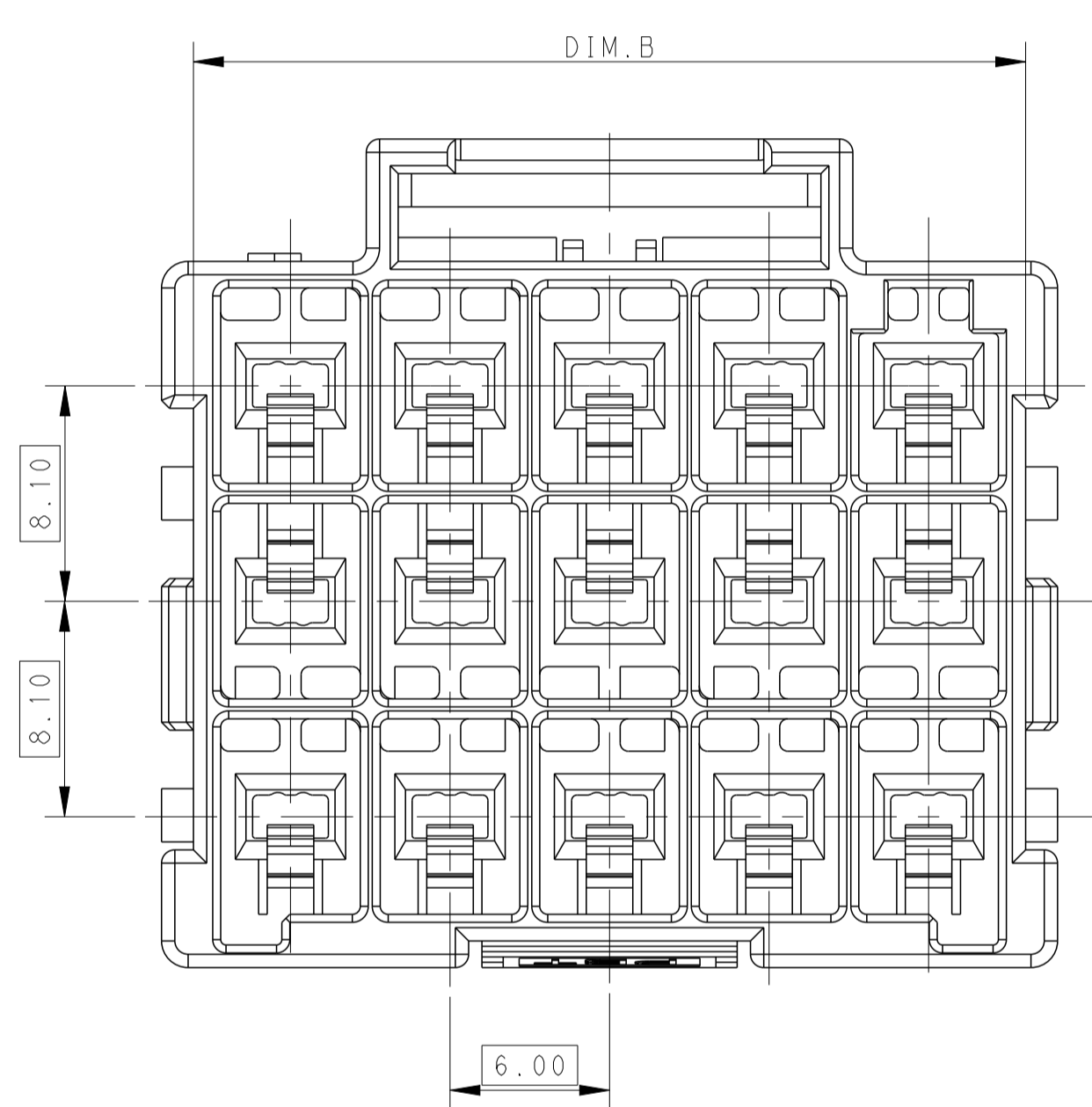


REVISIONS				
P	LTN	DESCRIPTION	DATE	APVD
C		REVISED PER ECR-16-003314	15JUL2016	BW GJ



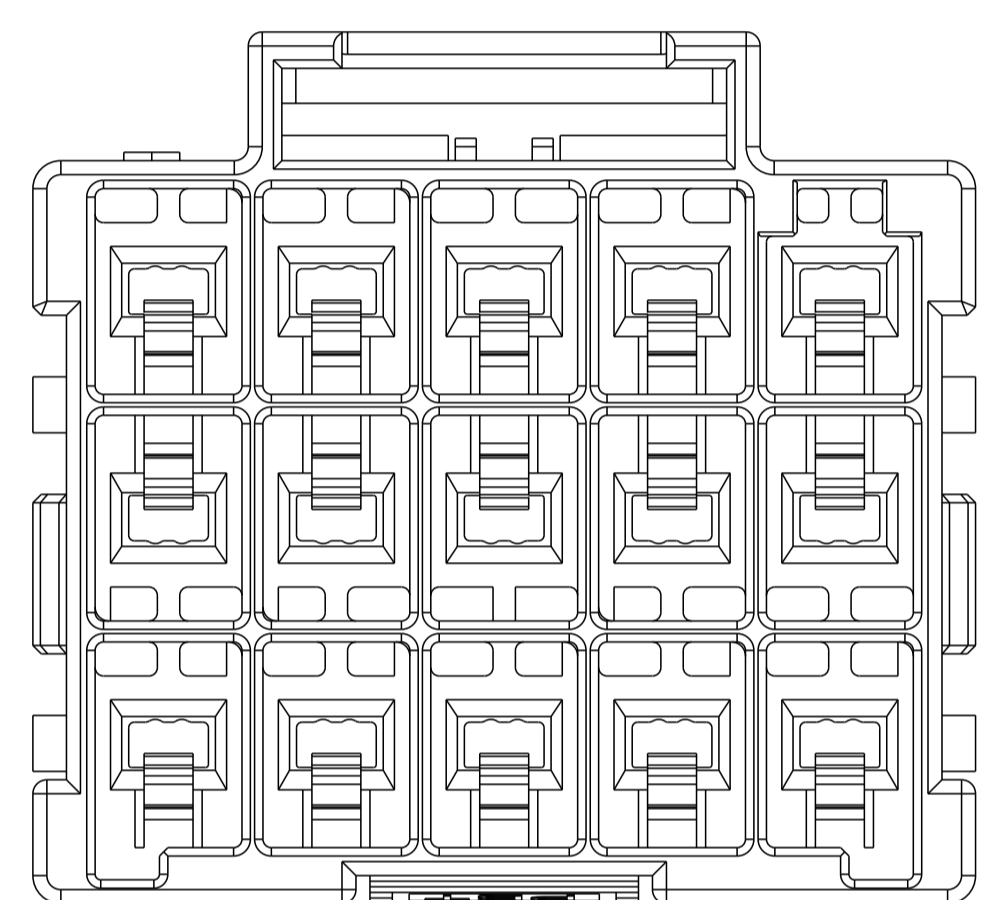
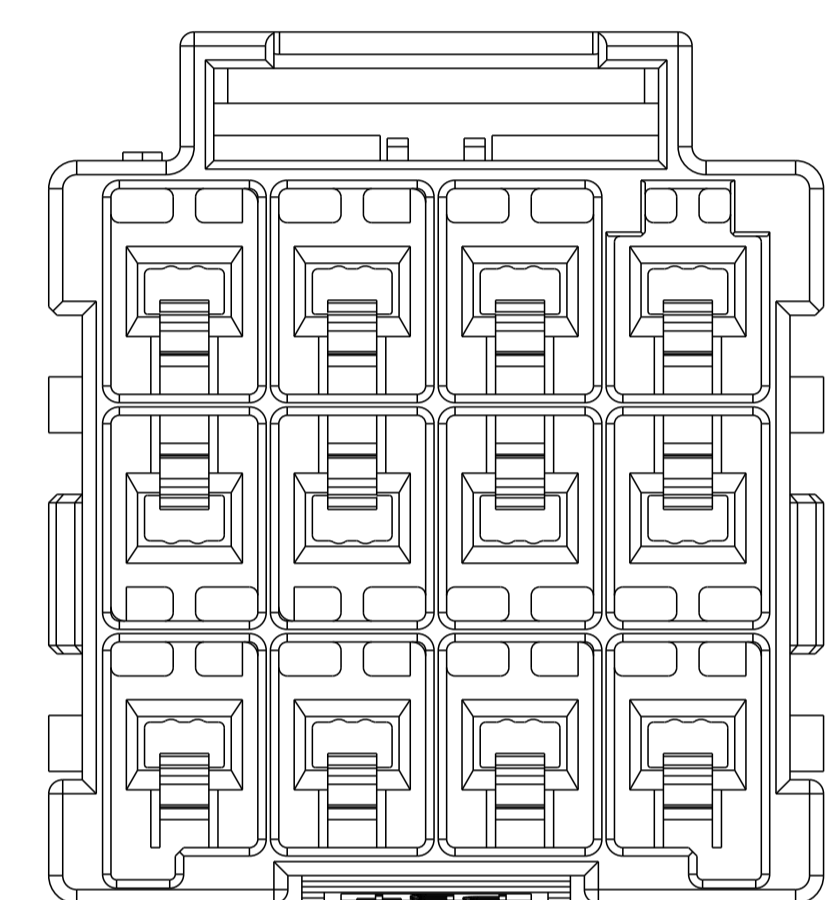
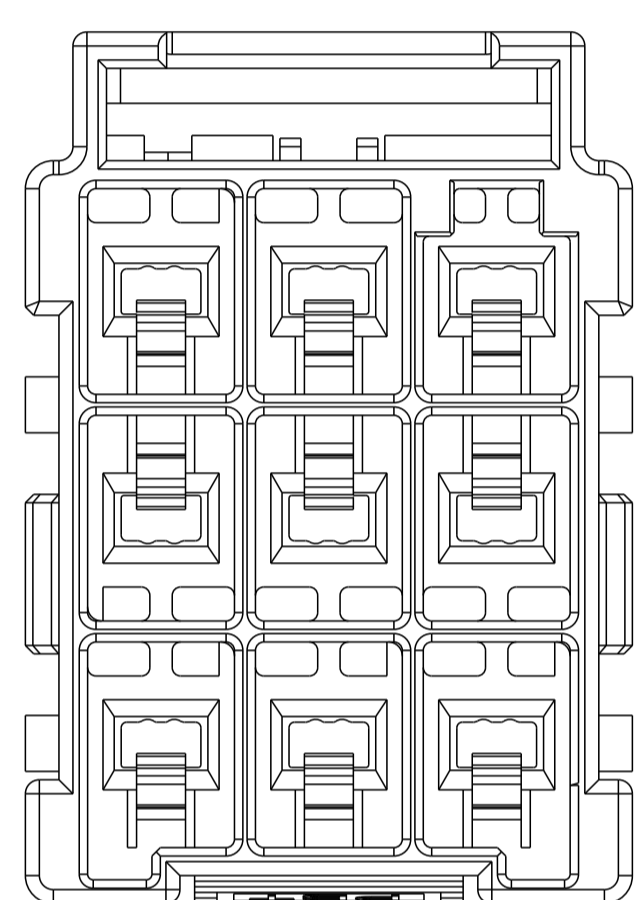
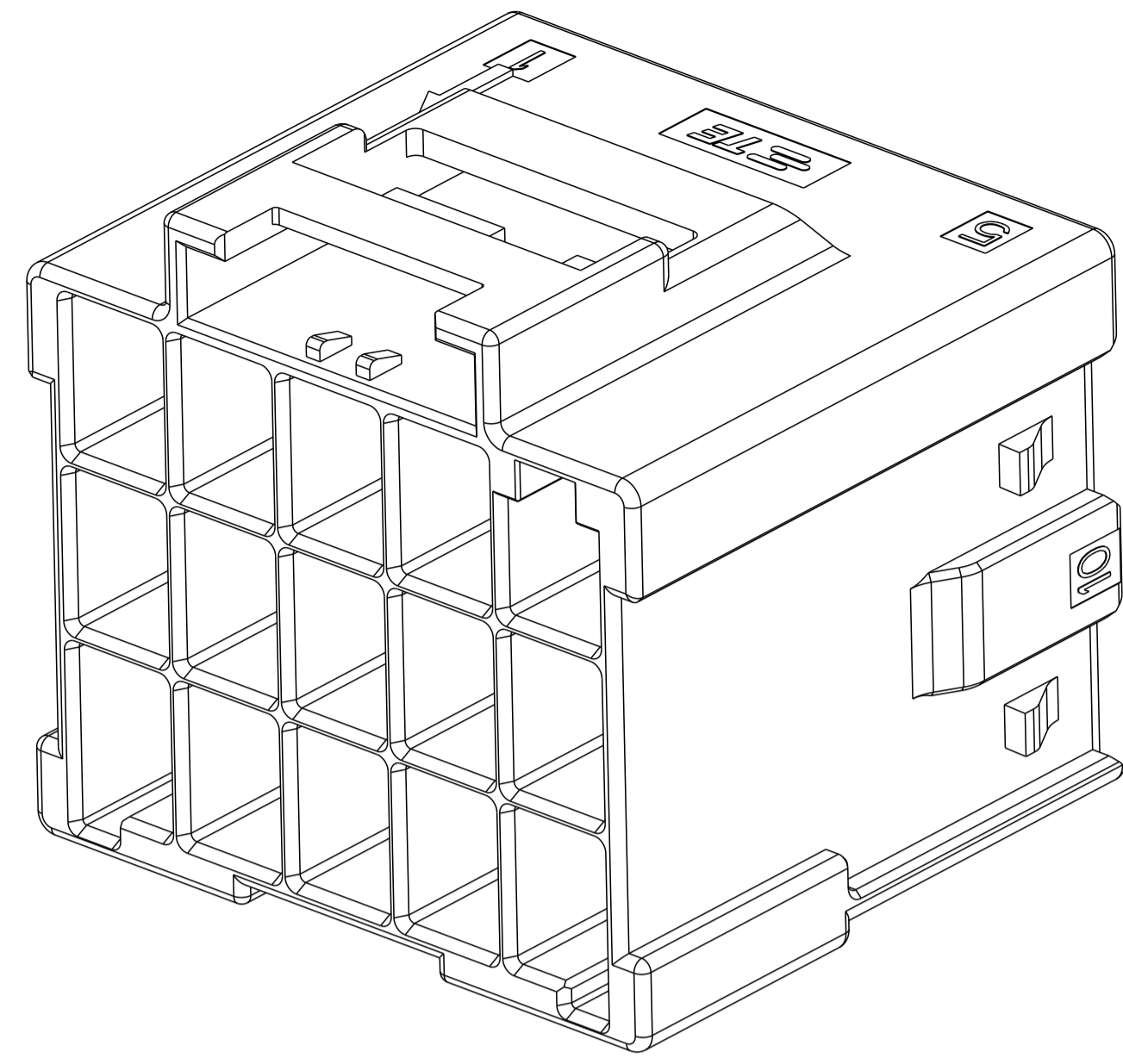
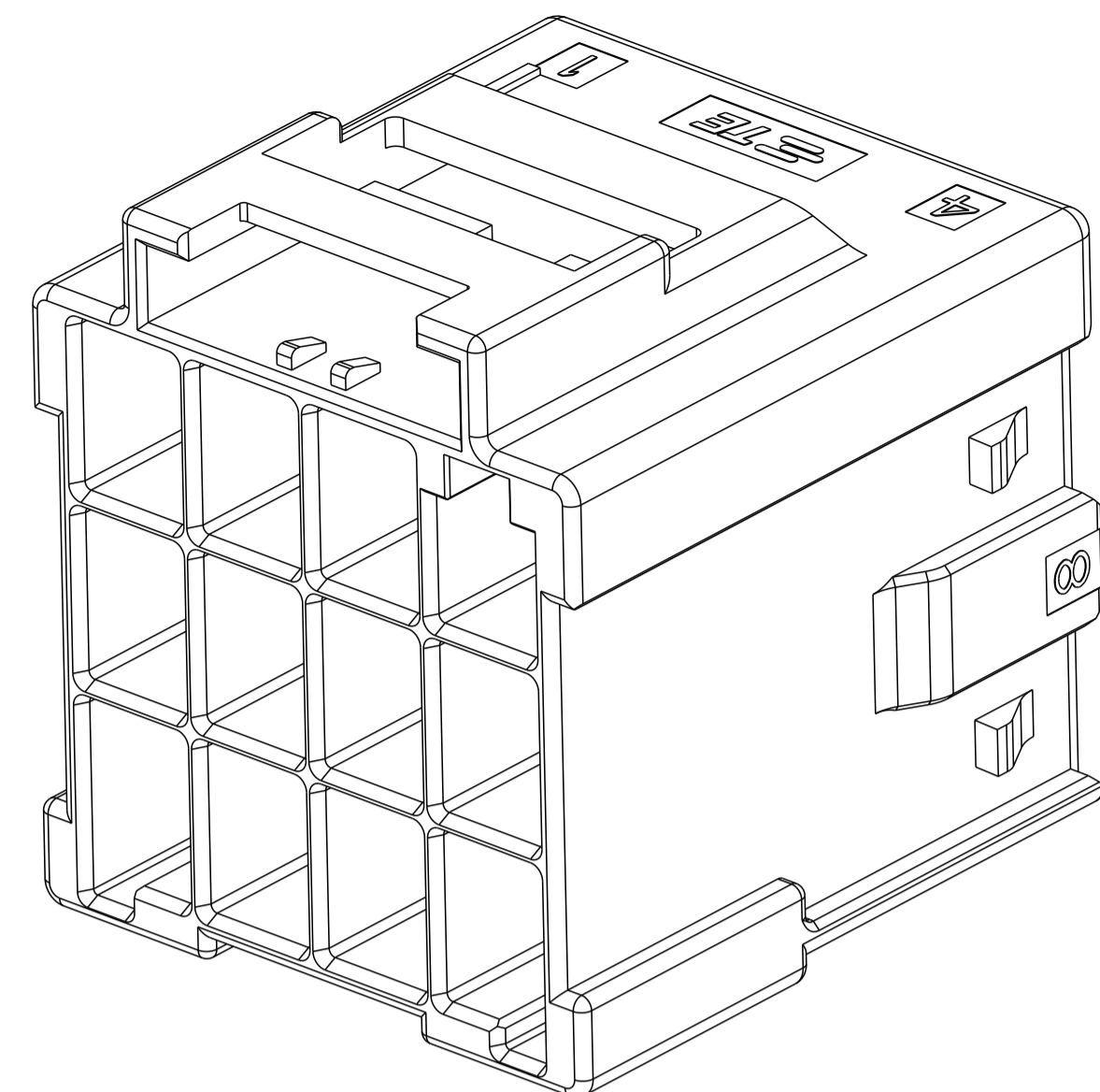
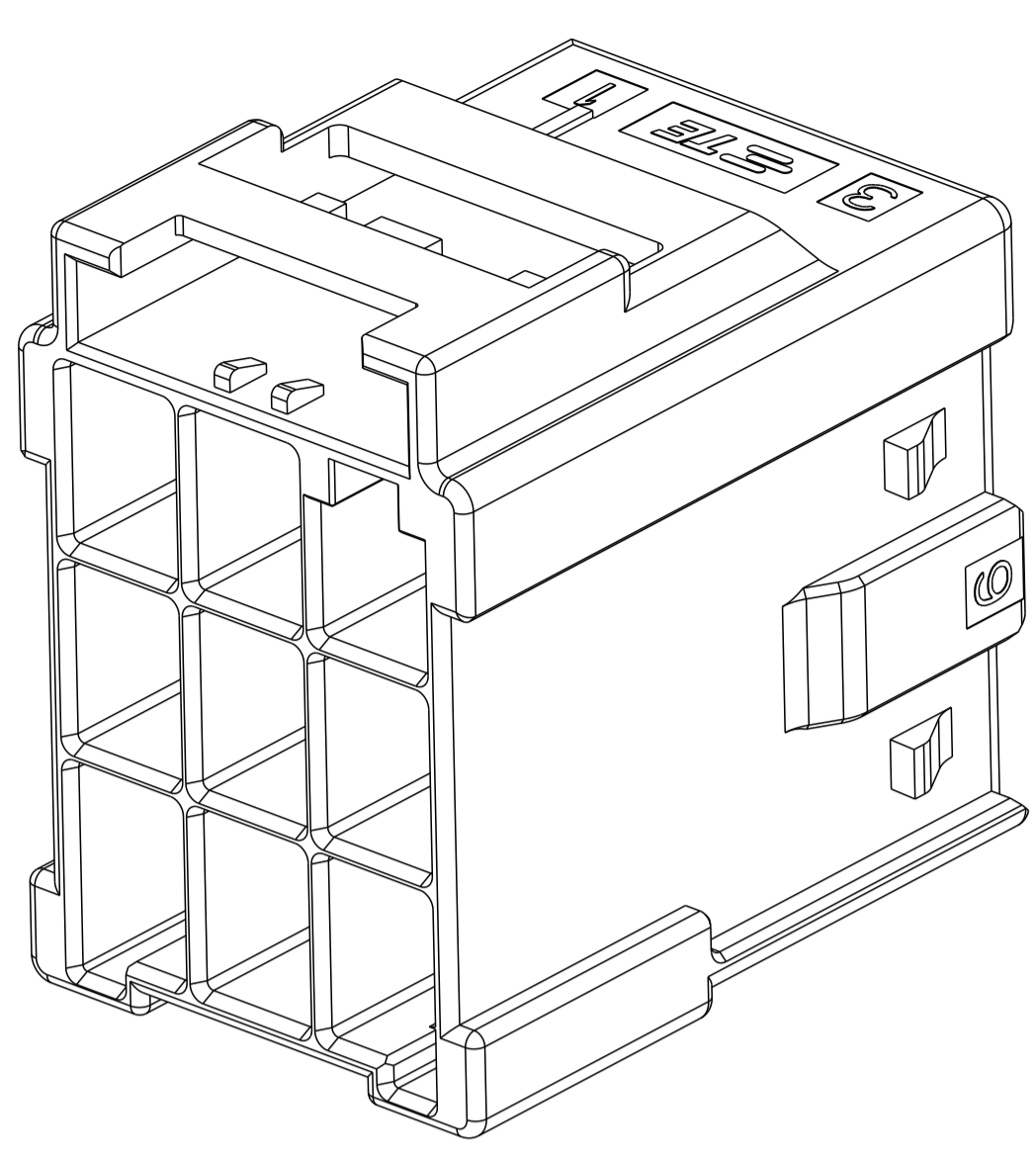
- 1 MATERIAL:  
 LEVEL 1:PBT, STANDARD TEMPERATURE 105°C  
 KEY A:NATURAL; KEY B:PURPLE; KEY C:BLUE; KEY D:YELLOW  
 LEVEL 2:NYLON, HIGH TEMPERATURE 150°C  
 KEY A:LIGHT GREY; KEY B:RED; KEY C:BLACK; KEY D:NATURAL
- 2 MATERIAL MARK:  
 LEVEL 1:PBT, LEVEL 2:HDT
- 3 APPLICABLE CONTACT P/N  
 TAB CONTACT:1971238/1971780/82/84/86/88-\*,2238067-\*
- 4 MATING CONN, P/N  
 PLUG HSG:\*-1971876-  
 TPA DOUBLE ROW TPA:\*-1971778-\*;SINGLE ROW TPA:\*-1971777-\*
- 5 THIS PRODUCT HAS NOT COMPLETED VALIDATION TESTING



POS.	DIM.A	DIM.B
3*5	33.70	31.30
3*4	27.70	25.30
3*3	21.70	19.30

THIS DRAWING IS A CONTROLLED DOCUMENT.		OWN TOMMY WU 09JUL2012	<b>STE</b> TE Connectivity
DIMENSIONS:		CHK HAPYE WU 09JUL2012	
TOLERANCES UNLESS OTHERWISE SPECIFIED:		APVD YUHONG MAO 09JUL2012	
mm		NAME CAP HOUSING, FREE HANGING, TRIPLE ROW POWER TRIPLE LOCK	
0 PLC	±	PRODUCT SPEC	SIZE CAGE CODE DRAWING NO RESTRICTED TO
1 PLC	±0.35	108-106118	
2 PLC	±0.25	APPLICATION SPEC	SCALE SHEET 1 OF 2 REV C
3 PLC	±	114-106118	
4 PLC	±	WEIGHT	
ANGLES	±	Customer Drawing	
MATERIAL	FINISH		

REVISIONS				
P. LTR	DESCRIPTION	DATE	OWN	APVD
-	SEE SHEET 1	-	-	-

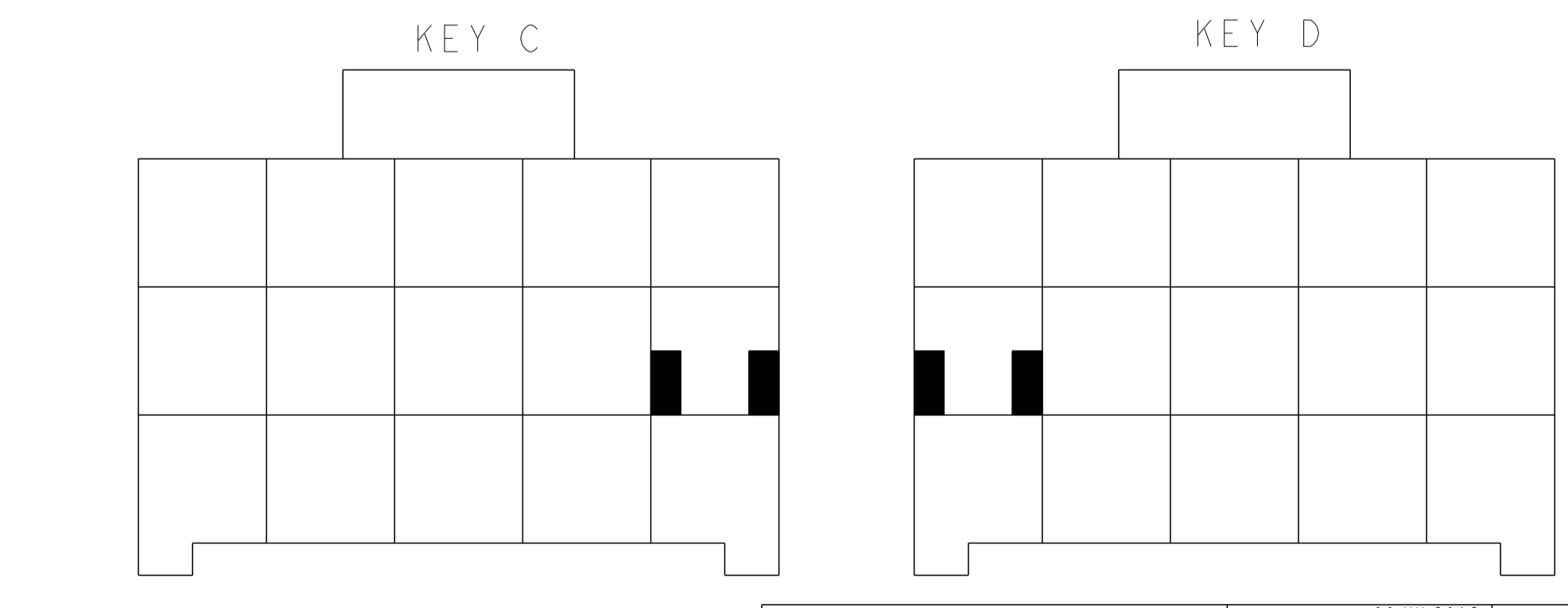
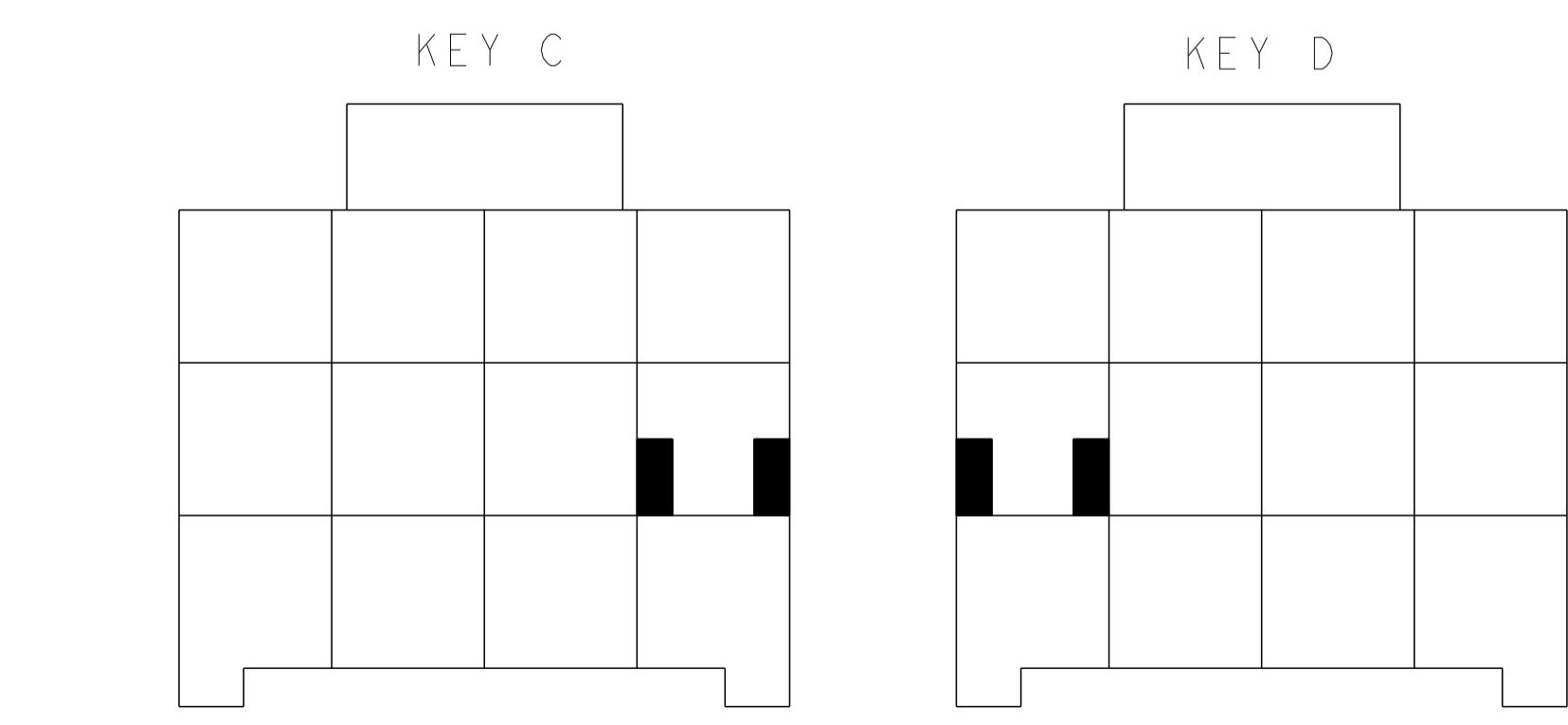
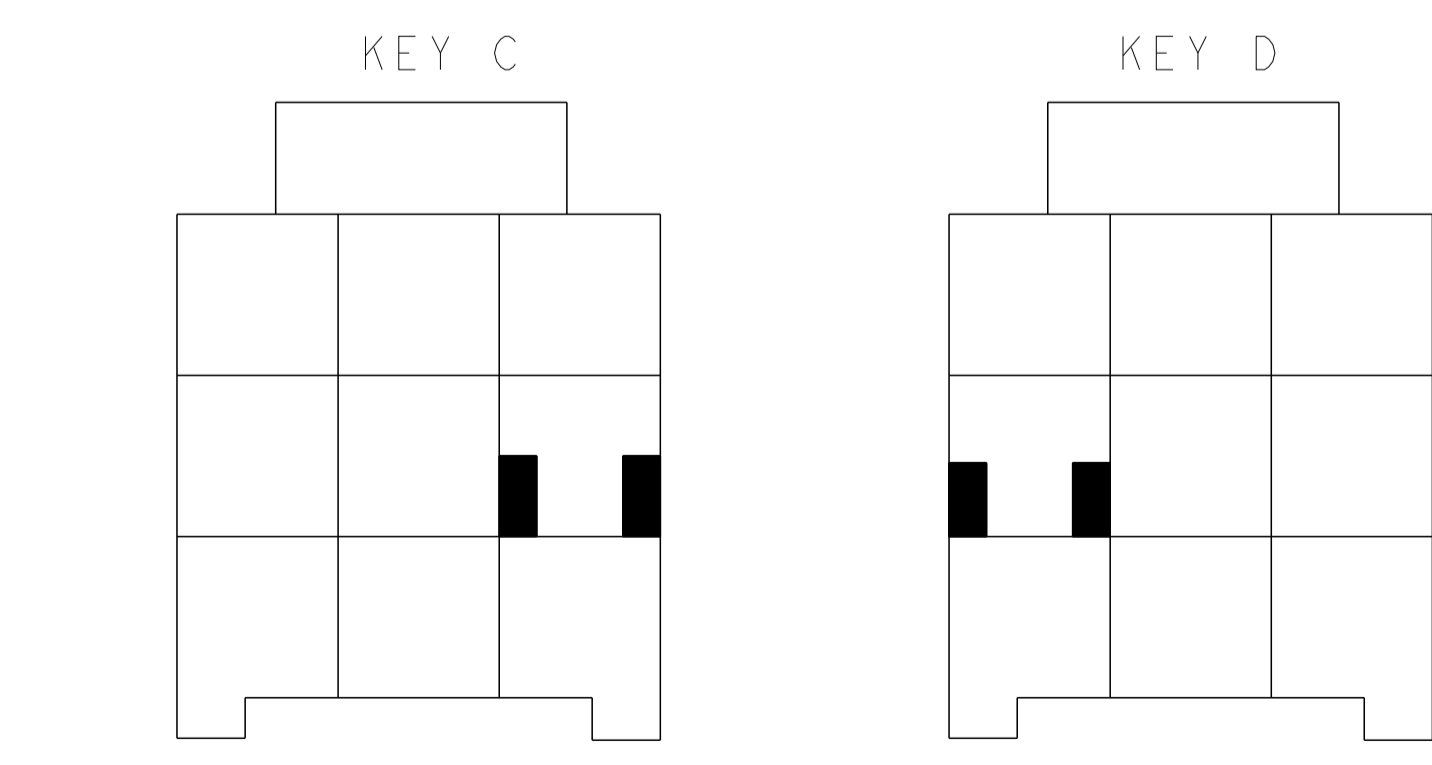
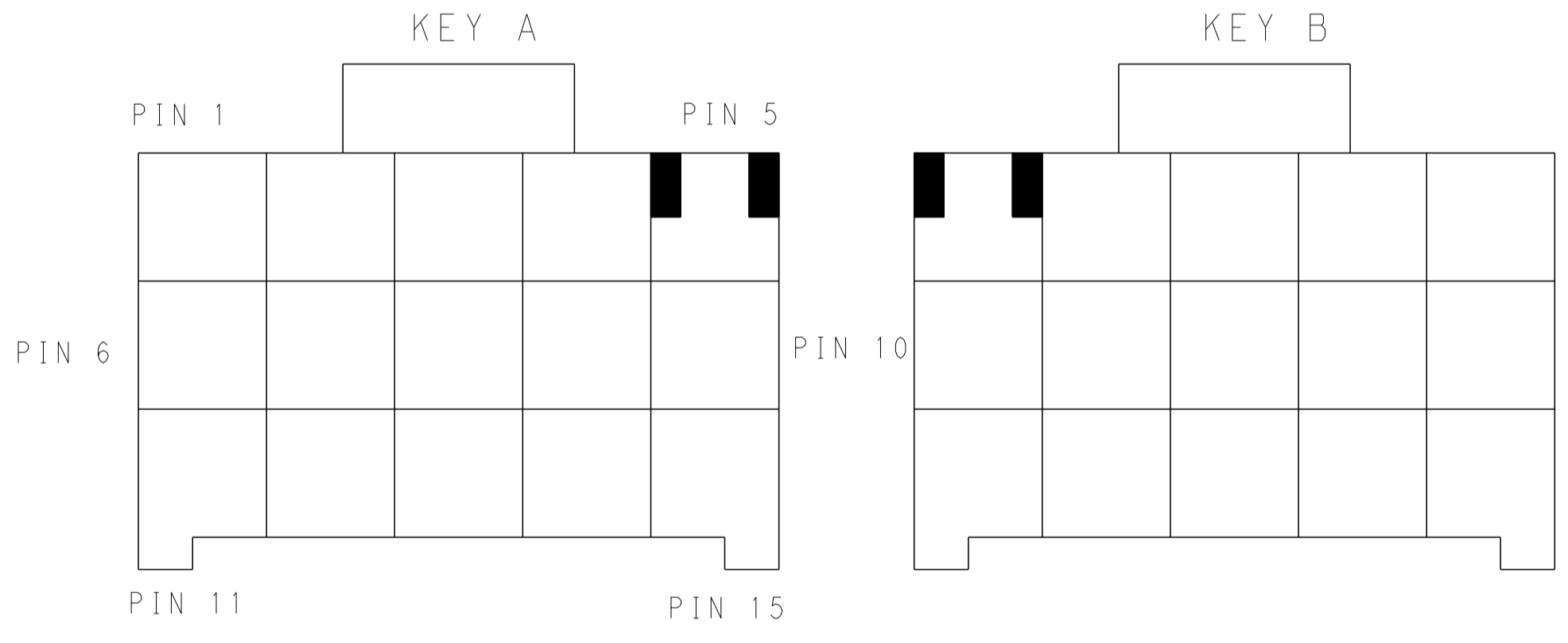
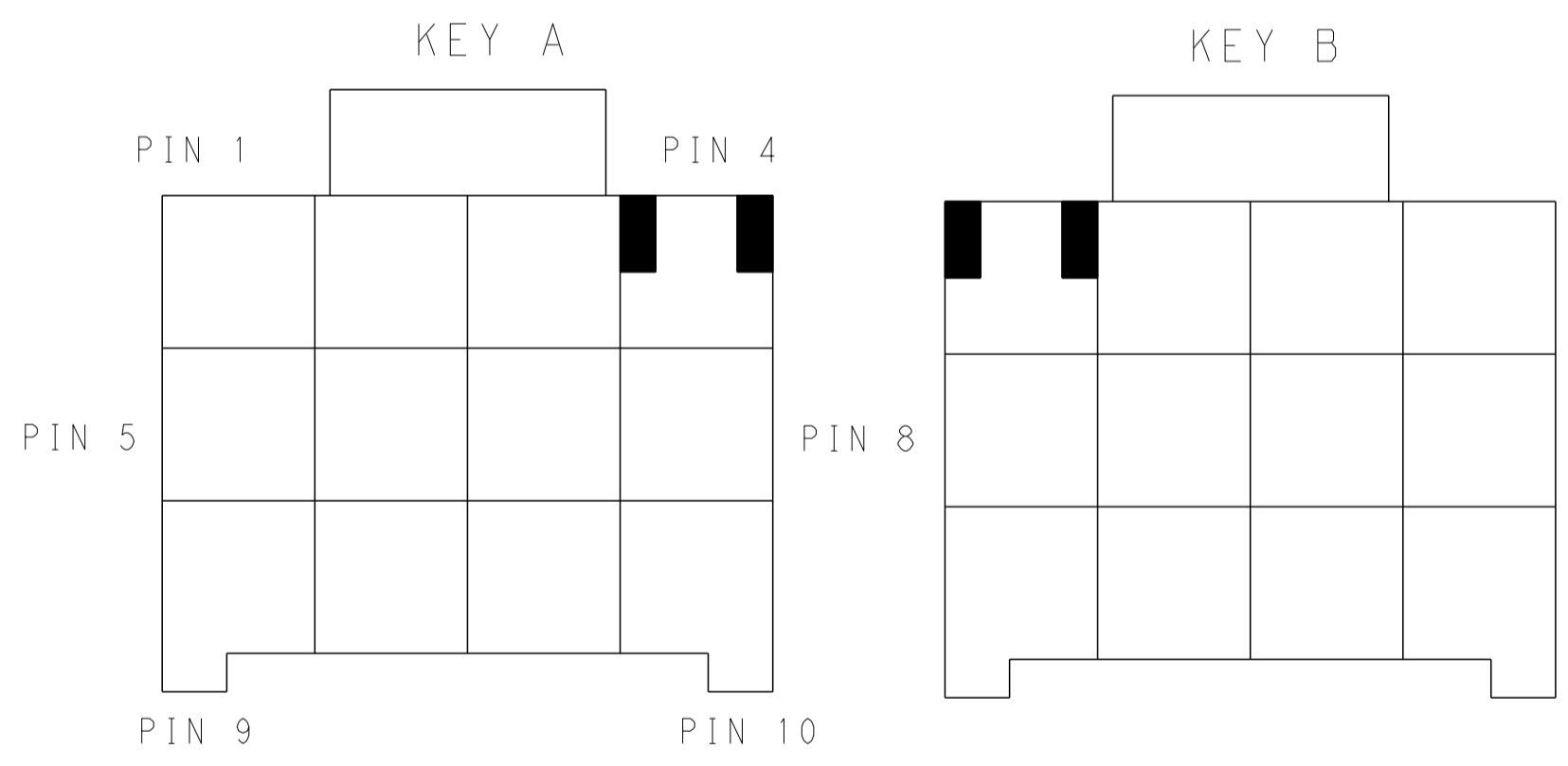
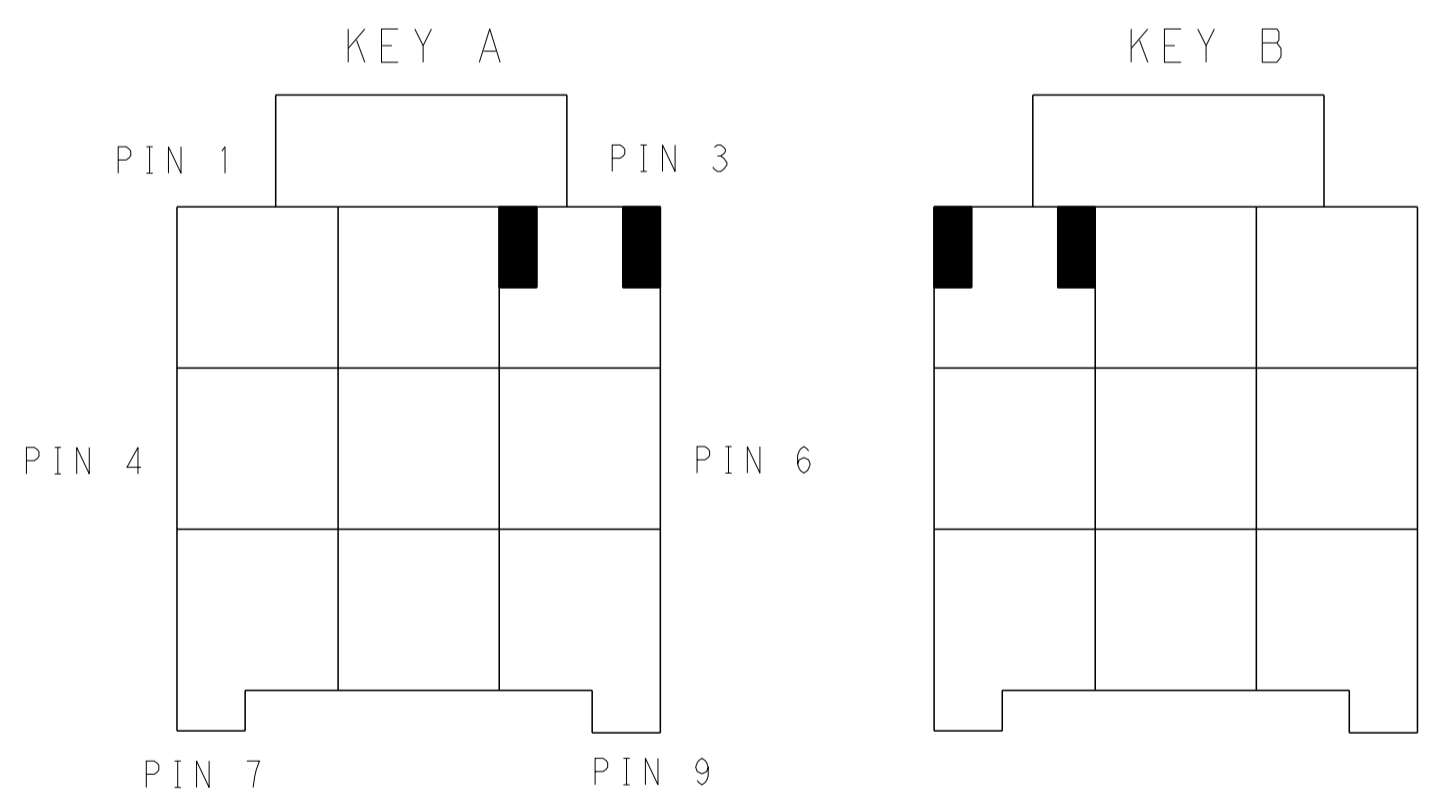


3\*3 POSITIONS

3\*4 POSITIONS

3\*5 POSITIONS

3*5	LEVEL 1	KEY A	1-1971874-7
		KEY B	2-1971874-7
		KEY C	3-1971874-7
		KEY D	4-1971874-7
3*5	LEVEL 2	KEY A	5-1971874-7
		KEY B	6-1971874-7
		KEY C	7-1971874-7
		KEY D	8-1971874-7
3*4	LEVEL 1	KEY A	1-1971874-4
		KEY B	2-1971874-4
		KEY C	3-1971874-4
		KEY D	4-1971874-4
3*4	LEVEL 2	KEY A	5-1971874-4
		KEY B	6-1971874-4
		KEY C	7-1971874-4
		KEY D	8-1971874-4
3*3	LEVEL 1	KEY A	1-1971874-3
		KEY B	2-1971874-3
		KEY C	3-1971874-3
		KEY D	4-1971874-3
3*3	LEVEL 2	KEY A	5-1971874-3
		KEY B	6-1971874-3
		KEY C	7-1971874-3
		KEY D	8-1971874-3
POS.	MATERIAL	KEY	P/N



KEYING FOR 3\*3 POS.

KEYING FOR 3\*4 POS.

KEYING FOR 3\*5 POS.

THIS DRAWING IS A CONTROLLED DOCUMENT.

DIMENSIONS:	TOLERANCES UNLESS OTHERWISE SPECIFIED:	OWN: TOMMY WU 09JUL2012	CHK: HAPYE WU 09JUL2012	APVD: YUHONG MAO 09JUL2012
mm	0 PLC ±0.35 1 PLC ±0.25 2 PLC ±0.25 3 PLC ±0.25 4 PLC ±0.25 ANGLES ±0.25	PRODUCT SPEC	108-106118	APPLICATION SPEC
MATERIAL	FINISH	114-106118	WEIGHT	Customer Drawing

STE TE Connectivity

NAME: CAP HOUSING, FREE HANGING, TRIPLE ROW POWER TRIPLE LOCK

SIZE: A100779 C=1971874

RESTRICTED TO: SHEET 2 OF 2 REV C