

SPECIFICATIONS

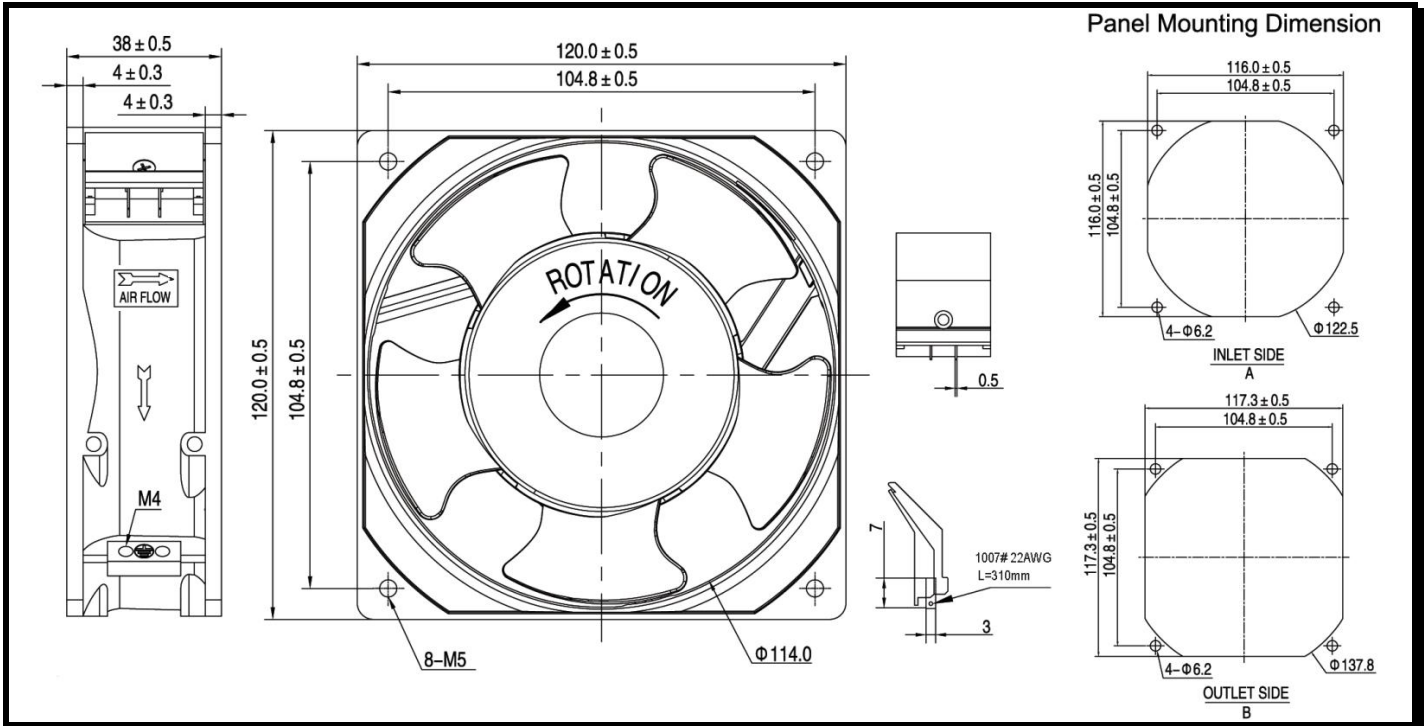
RoHS



Model Number:MX2B1
Part Number:19028420A

Version: 01
Dec 07, 2017

Mechanical Drawing:



Motor:

Normal Voltage	= 115 VAC
Operating Voltage Range	= 99~121VAC
Operating Frequency	= 50/60Hz
Rated Current	= 0.28/0.22A
Input Power	= 21/18Watt
Average Speed	= 2700/3100RPM
Bearings	= Ball
Airflow	= 84/100CFM (Measuring at zero static pressure)
Static Pressure	= 0.28/0.34'' H ₂ O (Measuring at zero air flow)
Noise Level	= 49/51 dB(A)
Net Weight	= 460 gram.

Construction:

Venturi: High quality magnesium alloy die-casting Frame with ED coating and powder coating, Black.
Propeller: Magnesium alloy ED coating and painting.

Life Expectancy:

This fan is designed for continuous duty life of 55,000 hours at 70 °C

Additional Features:

Insulation Resistance: 100MΩ or more at 500 V megger.
Dielectric strength: 2 seconds at 1800 VAC/ 50-60 Hz.
Thermal Shock: Test per MIL-STD-202F, method 107G, condition D.
Operating Temperature: -10°C to 70°C
Storage Temperature: -40°C to 85°C

Termination:

0.120" Wide Terminals

Agency Approvals:

UL, CUL, CE

PQ Curve:

