

MATERIAL AND FINISHES

BODY: STAINLESS STEEL  
PASSIVATED

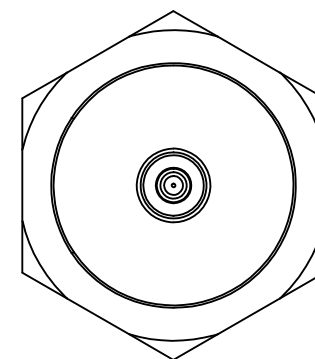
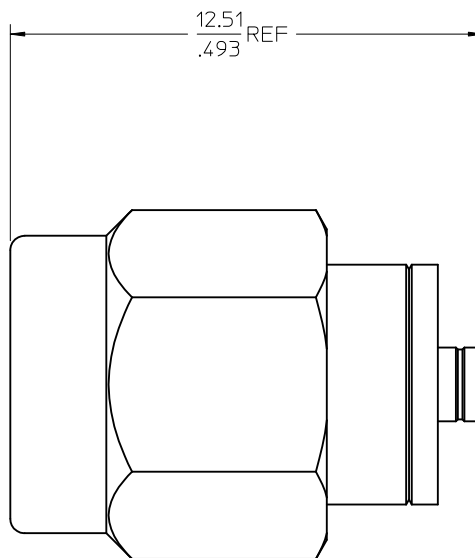
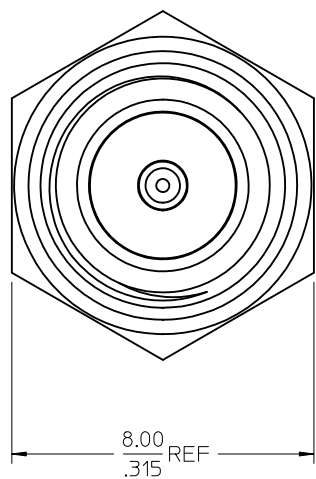
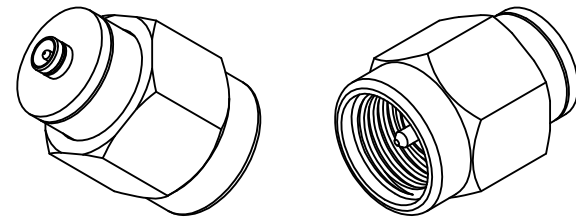
CONTACT: BRASS  
PLATED GOLD

INSULATOR: TEFLON

COUPLING NUT: BRASS  
PLATED NICKEL

SNAP RING: BERYLLIUM COPPER

GASKET: SILICONE RUBBER



73386-0851	73386-0850 ONE PIECE PER BAG
73386-0850	STANDARD
PART NO.	PACKAGING

CHG: ADDED -0851  
SINGLE BAG  
EC NO: URF2011-0651  
DRWN:JLEE02 2011/05/04  
CHKD:SSS 2011/05/04  
APPR:JMIENER 2011/05/05

REV	DESCRIPTION
B1	

QUALITY SYMBOLS	GENERAL TOLERANCES (UNLESS SPECIFIED)
▽=0	
▽=0	
	ANGULAR ± 2 °
	DRAFT WHERE APPLICABLE MUST REMAIN WITHIN DIMENSIONS

DIMENSION STYLE		SCALE	DESIGN UNITS	THIRD ANGLE PROJECTION
MM/IN			METRIC	
DRAWN BY	DATE	TITLE		
JOHN	2004/05/28	BSA, SMA PLUG TO U.FL PLUG, 50 OHMS BSA-SMA/UFL		
CHECKED BY	DATE	MOLEX INCORPORATED		
KENNY	2004/05/28	SD-73386-085		
APPROVED BY	DATE	SHEET NO.		
MISEN	2004/05/28	1 OF 1		
MATERIAL NO.	SEE TABLE	THIS DRAWING CONTAINS INFORMATION THAT IS PROPRIETARY TO MOLEX INCORPORATED AND SHOULD NOT BE USED WITHOUT WRITTEN PERMISSION		

MATERIAL NO.		DOCUMENT NO.	SHEET NO.
SEE TABLE		SD-73386-085	1 OF 1