

MATERIALS AND FINISHES

PART NUMBERS 73413-0040, -0042, -0044

PART NUMBERS 73413-0041 AND -0043

BODY BRASS
PLATED SEE TABLE

BODY BERYLLIUM COPPER
PLATED SEE TABLE

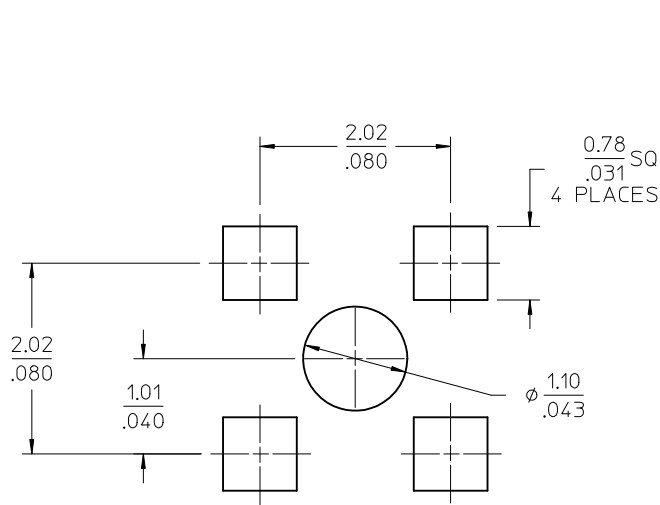
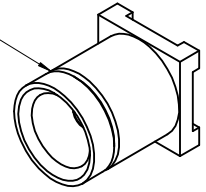
CENTER CONTACT BERYLLIUM COPPER
PLATED GOLD

CENTER CONTACT BERYLLIUM COPPER
PLATED GOLD

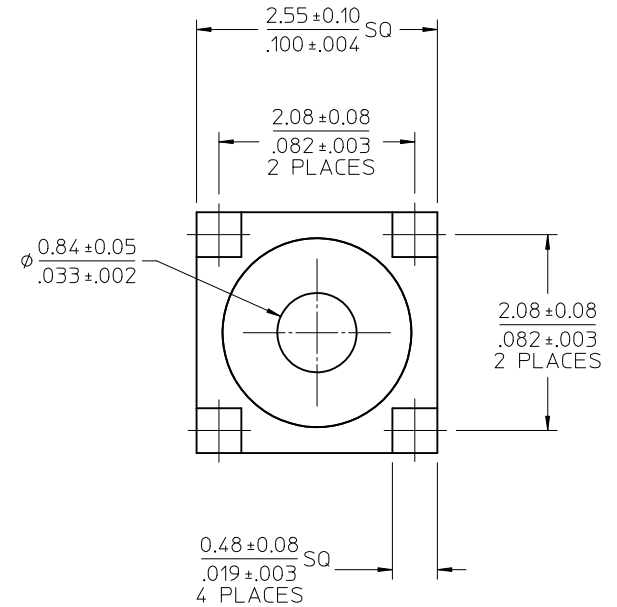
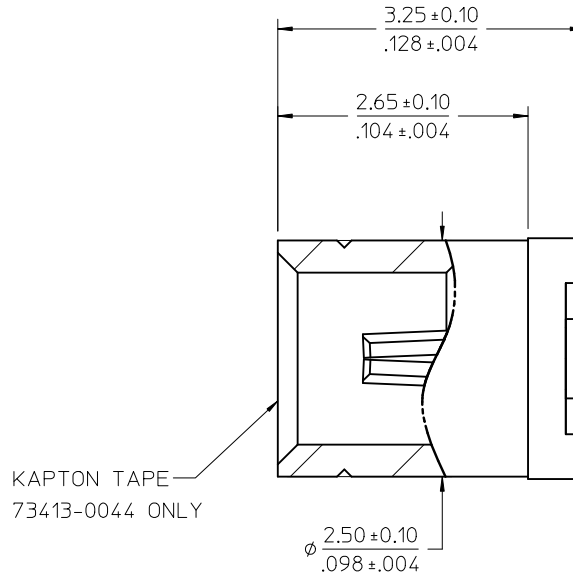
INSULATOR TEFLON

INSULATOR TEFLON

WITNESS MARK PRESENT
ON NON-MAGNETIC
VERSIONS ONLY



RECOMMENDED PCB LAYOUT



73413-0044	GENERAL	TAPE & REEL	GOLD
73413-0043	NON-MAGNETIC	BULK	GOLD
73413-0042	GENERAL	SINGLE BAG	GOLD
73413-0041	NON-MAGNETIC	BULK	TRI-M
73413-0040	GENERAL	BULK	GOLD
PART NO.	MAG PROP	PACKAGING	BODY PLATING

FOR 73413-0044 ONLY
REEL SIZE: 330mm (13")
TAPE WIDTH: 12mm (.47")
PARTS PER REEL: 2300

PS-89675-0320	PRODUCT SPECIFICATION
SPECIFICATION	DESCRIPTION

CHG: PS WAS PS-73598-037 ADD -0044	EC NO: URF2011-0242	2010/10/12	DRWN: JWIENER	2010/10/12	CHKD: SSS	2010/10/12	APPR: JWIENER	2010/10/12
DESCRIPTION	QUALITY SYMBOLS	▽=0	▽=0	REV	A6			

GENERAL TOLERANCES (UNLESS SPECIFIED)	DIMENSION STYLE	SCALE	DESIGN UNITS	THIRD ANGLE PROJECTION
4 PLACES ± .005	MM/IN		METRIC	
3 PLACES ± .004				
2 PLACES ± .003				
1 PLACE ± .002				
ANGULAR ± 2°				
DRAFT WHERE APPLICABLE MUST REMAIN WITHIN DIMENSIONS				

DRAWN BY	DATE	TITLE
JOHN	2005/03/24	SSMCX JACK PCB VERTICAL 50 OHM SSMCX-J/PCB EWR-3200
CHECKED BY	DATE	
KERRIE	2005/03/24	
APPROVED BY	DATE	
JWIENER	2010/10/21	
MATERIAL NO.	DOCUMENT NO.	SHEET NO.
SEE TABLE	SD-73413-004	1 OF 1

MOLEX INCORPORATED	
THIS DRAWING CONTAINS INFORMATION THAT IS PROPRIETARY TO MOLEX INCORPORATED AND SHOULD NOT BE USED WITHOUT WRITTEN PERMISSION	