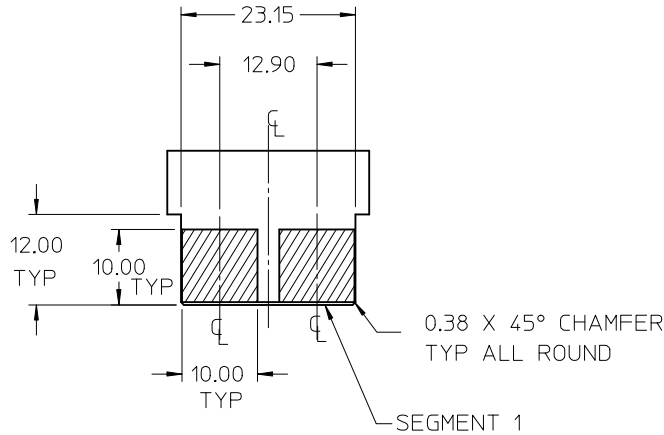
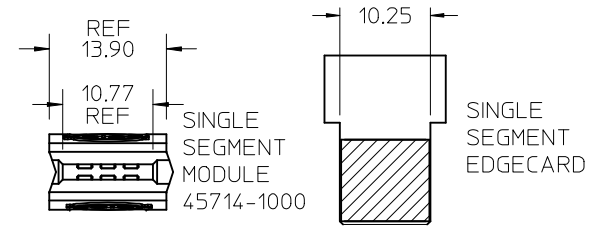


PCB LAYOUT: COMPONENT SIDE



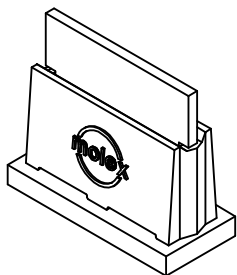
RECOMMENDED EDGE CARD LAYOUT
TOLERANCE: ±0.05



SEG- MENTS	MATERIAL NUMBER
1	45714-1000
2	45714-0001

NOTES:

- HOUSING MATL: LCP, UL94V-0, COLOR BLACK
TERMINAL MATL: COPPER ALLOY
- FINISH: SELECT GOLD: 30 M.I. MIN IN CONTACT AREA
SELECT TIN: 150 M.I. MIN IN SOLDER AREA
OVERALL NICKEL UNDERPLATE.
- PRODUCT SPECIFICATION: PS-45719-001.
- PACKAGING SPECIFICATION: ES-45714-001.
- PCB THICKNESS: 2.36 MIN
- EDGE CARD THICKNESS: 1.57±0.15
- DIMENSIONS GIVEN ACROSS CENTERLINES ARE SYMMETRICAL
ABOUT THOSE CENTERLINES WITHIN HALF TOTAL TOLERANCE.
- PCB HOLE SPECIFICATION: SEE PS-45719-001
- VOIDED SEGMENTS DO NOT HAVE TERMINALS IN THE TOP OR BOTTOM ROW

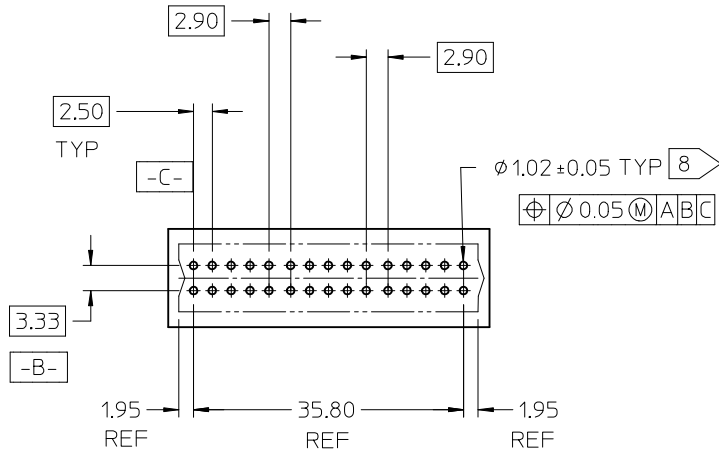
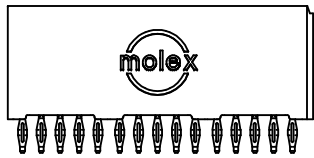
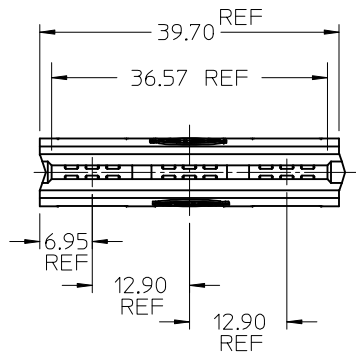


REMOVE TOOLING STATUS	DESCRIPTION
EC NO: UCP2013-1672	
DRWN: JSCHAFFER 2012/10/29	
CHKD:	
APPR: APATEL 2012/11/06	
H	REV

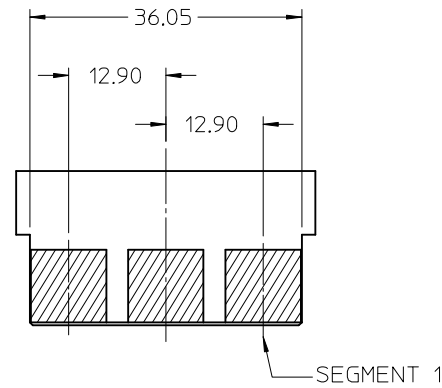
GENERAL TOLERANCES (UNLESS SPECIFIED)	
	mm INCH
4 PLACES	± --- ± ---
3 PLACES	± --- ± ---
2 PLACES	± 0.25 ± ---
1 PLACE	± 0.25 ± ---
ANGULAR ± 1/2°	
DRAFT WHERE APPLICABLE MUST REMAIN WITHIN DIMENSIONS	

DIMENSION STYLE MM ONLY	
DRAWN BY	DATE
MARGULIS	2003/11/11
CHECKED BY	DATE
MARGULIS	2003/11/11
APPROVED BY	DATE
MARGULIS	2003/11/11
SEE CHARTS	
SIZE	
A	

SCALE 1:1	DESIGN UNITS METRIC	THIRD ANGLE PROJECTION
TITLE POWER EDGE ASSEMBLY POWER VERTICAL CPI		
MOLEX INCORPORATED		
DOCUMENT NO. SD-45714-001	SHEET NO. 1 OF 5	



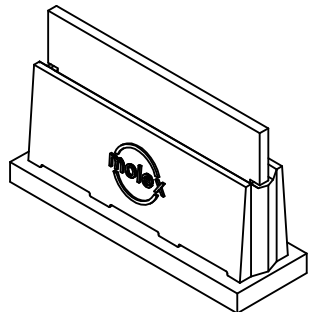
PCB LAYOUT: COMPONENT SIDE



RECOMMENDED EDGE CARD LAYOUT
EDGE CARD TOLERANCE: ± 0.05

NOTES:
1. FOR ALL OTHER DIMENSIONS AND NOTES SEE SHEET 1.

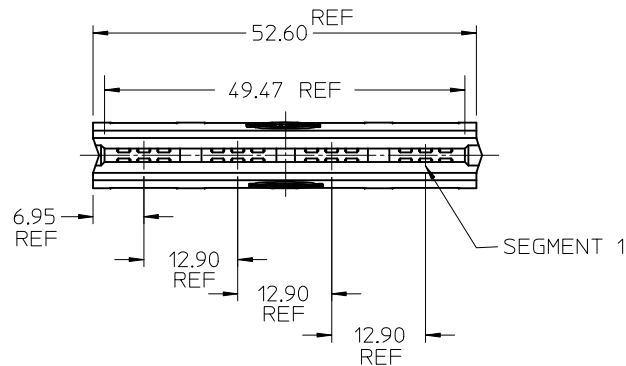
MATERIAL NUMBER	VOIDED SEGMENT
45714-0002	NONE
45714-3001	1
45714-3002	2
45714-3003	3
45714-3004	1,2
45714-3005	1,3
45714-3006	2,3



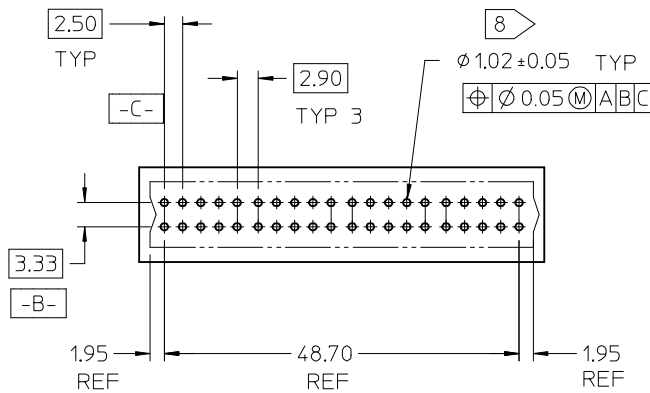
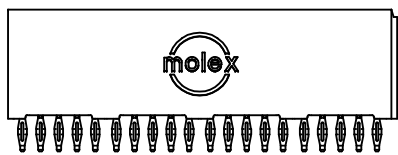
EC NO: UCP2013-1672	DRWN: JSCHAFFER	2012/10/29	CHKD: APATEL	2012/11/06	DESCRIPTION
H	REV				

GENERAL TOLERANCES (UNLESS SPECIFIED)		DIMENSION STYLE		SCALE	DESIGN UNITS	THIRD ANGLE PROJECTION
	mm	INCH	MM ONLY	1:1	METRIC	
4 PLACES	\pm ---	\pm ---	DRAWN BY	DATE	POWER EDGE ASSEMBLY POWER VERTICAL CPI (3 SEGMENT PARTS)	
3 PLACES	\pm ---	\pm ---	MARGUL IS	2003/11/11		
2 PLACES	± 0.25	\pm ---	CHECKED BY	DATE		
1 PLACE	± 0.25	\pm ---	MARGUL IS	2003/11/11		
ANGULAR $\pm 1/2^\circ$		APPROVED BY		DATE	MOLEX INCORPORATED	
DRAFT WHERE APPLICABLE MUST REMAIN WITHIN DIMENSIONS		MARGUL IS		2003/11/11	DOCUMENT NO. SD-45714-001	SHEET NO. 2

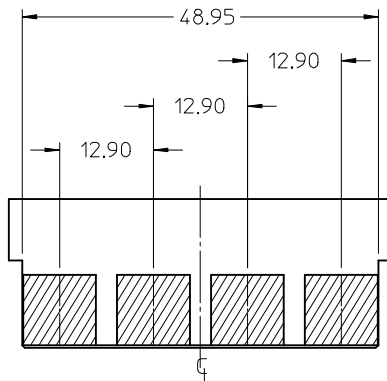
SIZE	THIS DRAWING CONTAINS INFORMATION THAT IS PROPRIETARY TO MOLEX INCORPORATED AND SHOULD NOT BE USED WITHOUT WRITTEN PERMISSION
A	



NOTES:
1. FOR ALL OTHER DIMENSIONS AND NOTES SEE SHEET 1.

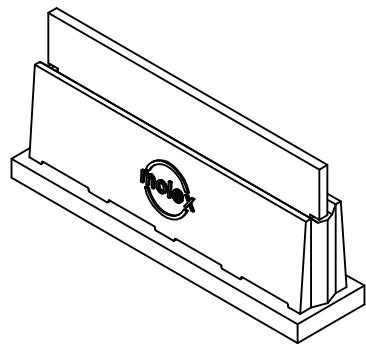


PCB LAYOUT: COMPONENT SIDE



RECOMMENDED EDGE CARD LAYOUT
EDGE CARD TOLERANCE: ±0.05

MATERIAL NUMBER	VOIDED SEGMENT
45714-0003	NONE
45714-4001	1
45714-4002	2
45714-4003	3
45714-4004	4
45714-4005	1,2
45714-4006	1,3
45714-4007	1,4
45714-4008	2,3
45714-4009	2,4
45714-4010	3,4



EC NO: UCP2013-1672	DESCRIPTION
DRWN: JSCHAFFER 2012/10/29	
CHKD:	
APPR: APATEL 2012/11/06	
REV	

GENERAL TOLERANCES (UNLESS SPECIFIED)		DIMENSION STYLE MM ONLY		SCALE 1:1	DESIGN UNITS METRIC	THIRD ANGLE PROJECTION
	mm	INCH	DRAWN BY MARGULIS	DATE 2003/11/11	TITLE POWER EDGE ASSEMBLY POWER VERTICAL CPI (4 SEGMENT PARTS)	
4 PLACES	± ---	± ---	CHECKED BY	DATE		
3 PLACES	± ---	± ---	MARGULIS	2003/11/11		
2 PLACES	± 0.25	± ---	APPROVED BY	DATE		
1 PLACE	± 0.25	± ---	MARGULIS	2003/11/11		
ANGULAR ±1/2°				DOCUMENT NO. SD-45714-001		
DRAFT WHERE APPLICABLE MUST REMAIN WITHIN DIMENSIONS		SIZE A	THIS DRAWING CONTAINS INFORMATION THAT IS PROPRIETARY TO MOLEX INCORPORATED AND SHOULD NOT BE USED WITHOUT WRITTEN PERMISSION			

MOLEX INCORPORATED		SHEET NO. 3
--------------------	--	----------------

6

5

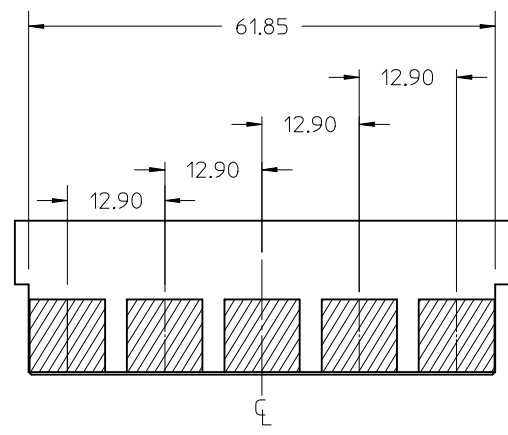
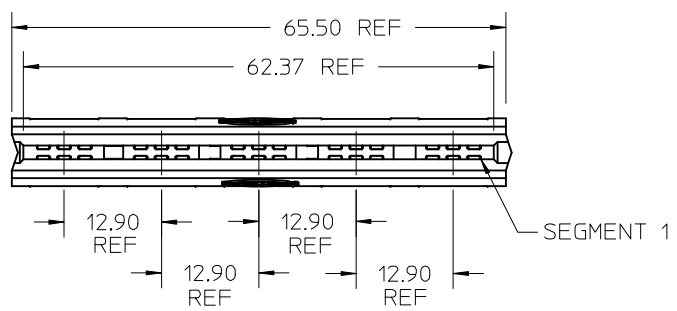
4

3

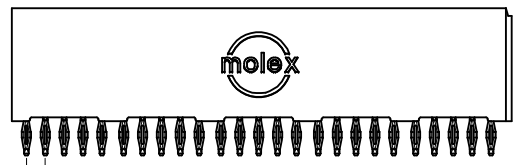
2

1

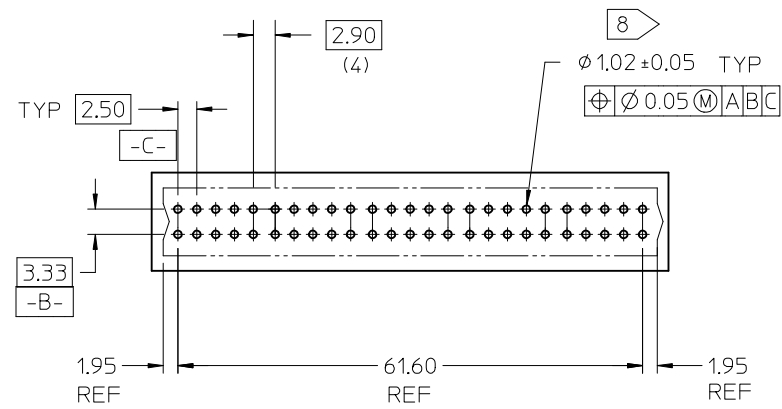
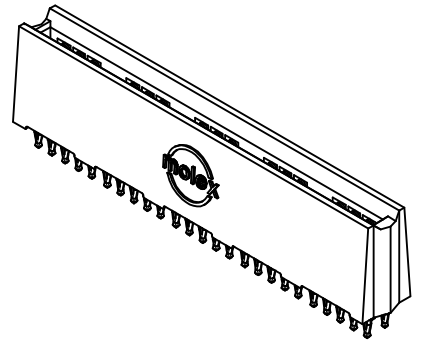
MATERIAL NUMBER	NO OF SEG'S	VOIDED SEGMENT
45714-0004	5	NONE
45714-5001	5	1
45714-5002	5	2
45714-5003	5	3
45714-5004	5	4
45714-5005	5	5
45714-5006	5	1, 2
45714-5007	5	1, 3
45714-5008	5	1, 4
45714-5009	5	1, 5
45714-5010	5	2, 3
45714-5011	5	2, 4
45714-5012	5	2, 5
45714-5013	5	3, 4
45714-5014	5	3, 5
45714-5015	5	4, 5



RECOMMENDED EDGE CARD LAYOUT
EDGE CARD TOLERANCE: ±0.05



2.50
(20)



PCB LAYOUT: COMPONENT SIDE

ENTER DESCRIPTION EC NO: UCP2013-1672 DRWN: JSCHAFFER 2012/10/29 CHKD: APPR: APATEL 2012/11/06 DESCRIPTION REV	QUALITY SYMBOLS	GENERAL TOLERANCES (UNLESS SPECIFIED)		DIMENSION STYLE MM ONLY		SCALE 1:1	DESIGN UNITS METRIC	THIRD ANGLE PROJECTION	
	▽=0	mm	INCH	DRAWN BY	DATE	TITLE POWER EDGE ASSEMBLY POWER VERTICAL CPI			
	▽=0	4 PLACES ± ---	± ---	MARGUL IS	2003/11/11				
	▽=0	3 PLACES ± ---	± ---	CHECKED BY	DATE	MOLEX INCORPORATED			
▽=0	2 PLACES ± 0.25	± ---	MARGUL IS	2003/11/11					
▽=0	1 PLACE ± 0.25	± ---	APPROVED BY	DATE	DOCUMENT NO. SD-45714-001				
	ANGULAR ± 1/2°		MARGUL IS	2003/11/11					
DRAFT WHERE APPLICABLE MUST REMAIN WITHIN DIMENSIONS				MATERIAL NO.	SHEET NO. 4 OF 5				
				SIZE A	THIS DRAWING CONTAINS INFORMATION THAT IS PROPRIETARY TO MOLEX INCORPORATED AND SHOULD NOT BE USED WITHOUT WRITTEN PERMISSION				

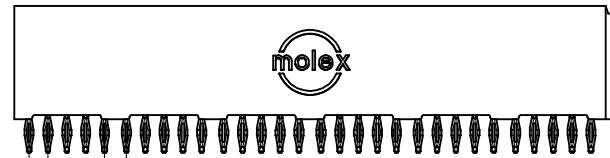
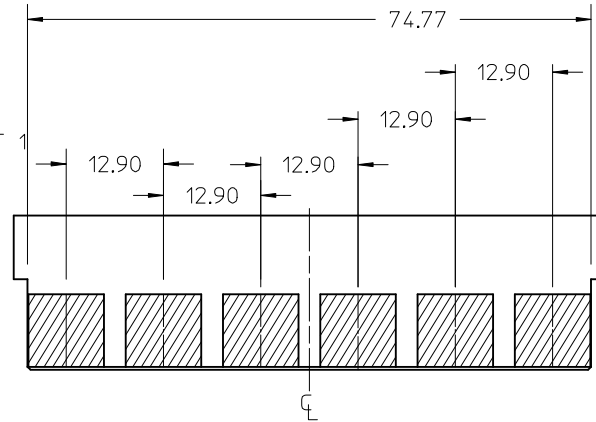
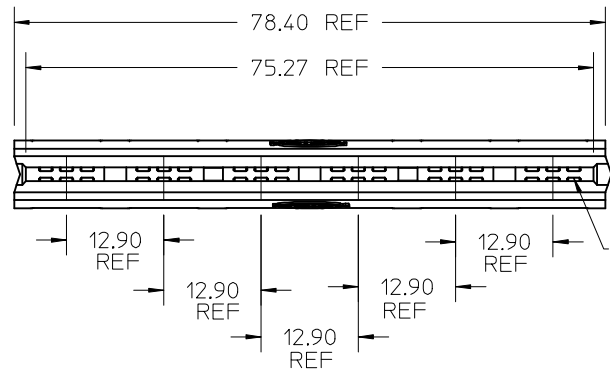
5

4

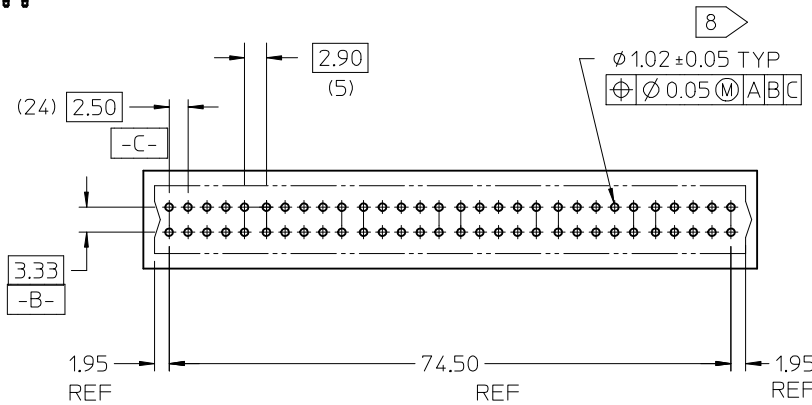
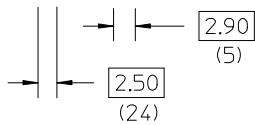
3

2

1



RECOMMENDED EDGE CARD LAYOUT
EDGE CARD TOLERANCE: ±0.05



PCB LAYOUT: COMPONENT SIDE

MATERIAL NUMBER	NO OF SEG'S	VOIDED SEGMENT
45714-0005	6	NONE
45714-6001	6	1
45714-6002	6	2
45714-6003	6	3
45714-6004	6	4
45714-6005	6	5
45714-6006	6	6
45714-6007	6	1, 2
45714-6008	6	1, 3
45714-6009	6	1, 4
45714-6010	6	1, 5
45714-6011	6	1, 6
45714-6012	6	2, 3
45714-6013	6	2, 4
45714-6014	6	2, 5
45714-6015	6	2, 6
45714-6016	6	3, 4
45714-6017	6	3, 5
45714-6018	6	3, 6
45714-6019	6	4, 5
45714-6020	6	1, 6
45714-6021	6	2, 6
45714-6022	6	3, 6
45714-6023	6	4, 6
45714-6024	6	5, 6

SEE SHT 1 EC NO: UCP2013-1672 DRWN: JSCHAFFER 2012/10/29 CHKD: APPR: APATEL 2012/11/06 H REV	QUALITY SYMBOLS $\nabla \neq 0$ $\nabla \neq 0$ $\nabla \neq 0$	GENERAL TOLERANCES (UNLESS SPECIFIED)		DIMENSION STYLE MM ONLY		SCALE 1:1	DESIGN UNITS METRIC	THIRD ANGLE PROJECTION		
			mm	INCH	DRAWN BY MARGULIS	DATE 2003/11/11	TITLE POWER EDGE ASSEMBLY POWER VERTICAL CPI			
		4 PLACES	± ---	± ---	CHECKED BY MARGULIS	DATE 2003/11/11				
		3 PLACES	± ---	± ---	APPROVED BY MARGULIS	DATE 2003/11/11	MOLEX INCORPORATED DOCUMENT NO. SD-45714-001 SHEET NO. 5 OF 5			
DRAFT WHERE APPLICABLE MUST REMAIN WITHIN DIMENSIONS		ANGULAR ±1/2°		SEE CHART		THIS DRAWING CONTAINS INFORMATION THAT IS PROPRIETARY TO MOLEX INCORPORATED AND SHOULD NOT BE USED WITHOUT WRITTEN PERMISSION				