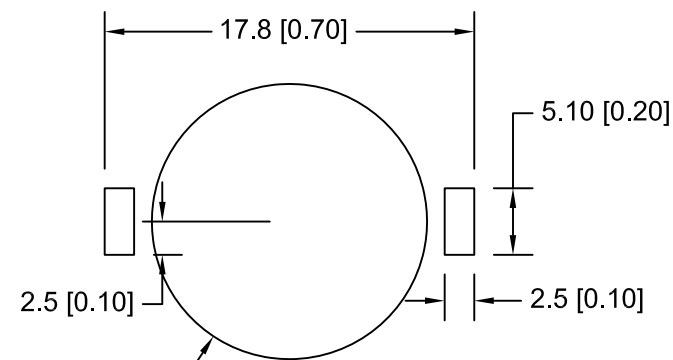
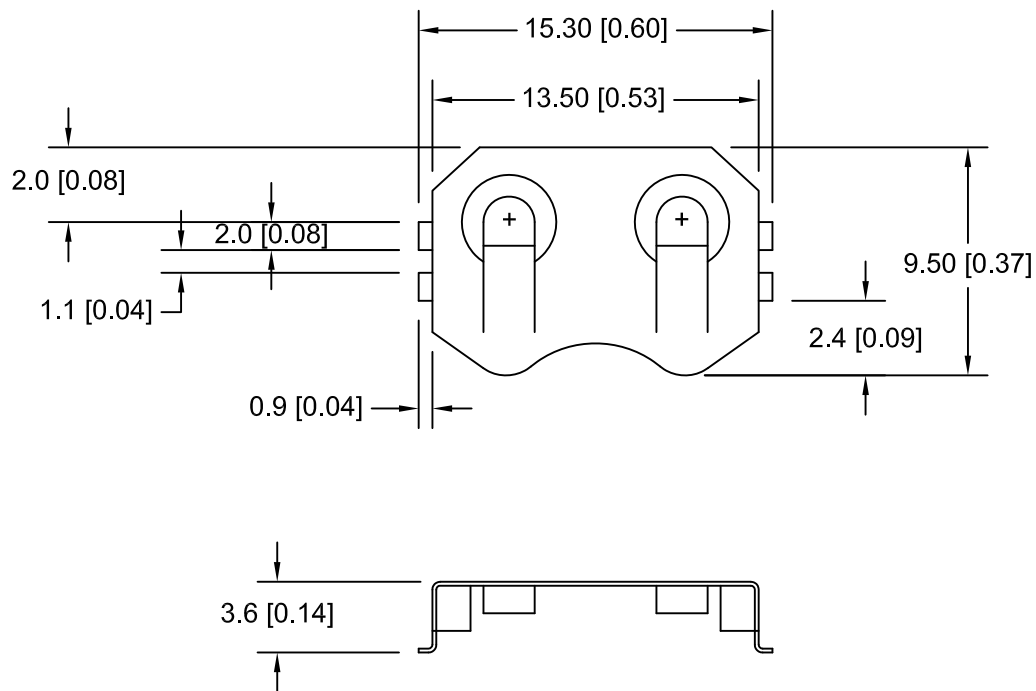


Date	SYM	REVISION RECORD	AUTH	DR.	CK.
12/11/15	A	Changed plating	T.B.	B.S.	
05/06/16	A	Updated Title	T.B.	B.S.	



Ø10.2 [Ø0.40] PCB LAYOUT  
NEG. CONTACT PAD, NICKEL OR GOLD PLATED

**NOTES:**

1. MATERIAL:

0.25mm PHOSPHOR BRONZE, NICKEL PLATED OVERALL.  
ROHS 2 COMPLIANT


TEMPERATURE RANGE: -40°C TO +270°C

\* VIBRATION TEST: 10-50-10 HZ SWEEPED IN 60 SECONDS  
X,Y,Z DIRECTION: 1 HOUR EACH DIRECTION

\* RESULT: NO DISLODGE MENT OF THE CELL OR DAMAGE  
NO DISCONTINUITY OVER 10 MICRO-SECONDS

\* SHOCK TEST: HALF SINE WAVE ACCELERATION 150G.  
6 MILLISECONDS  
3 SHOCK PULSES EACH DIRECTION PER  
AXIS, TOTAL OF 18 PULSES

\* RESULT: NO EVIDENCE OF PHYSICAL DAMAGE

Tolerance (Except as noted)	 <b>Memory Protection Devices, Inc</b> 200 Broad Hollow Road, Farmingdale, New York 11735	Scale	Drawn By B.S.
			Approved By T.B.
decimal ±.1 (.004)	Title CR1216,1220,1225 BATTERY RETAINER		
Fractional ± .2 (.008)		Date 05/06/16	Drawing Number BK-916
Angular ± 1°			